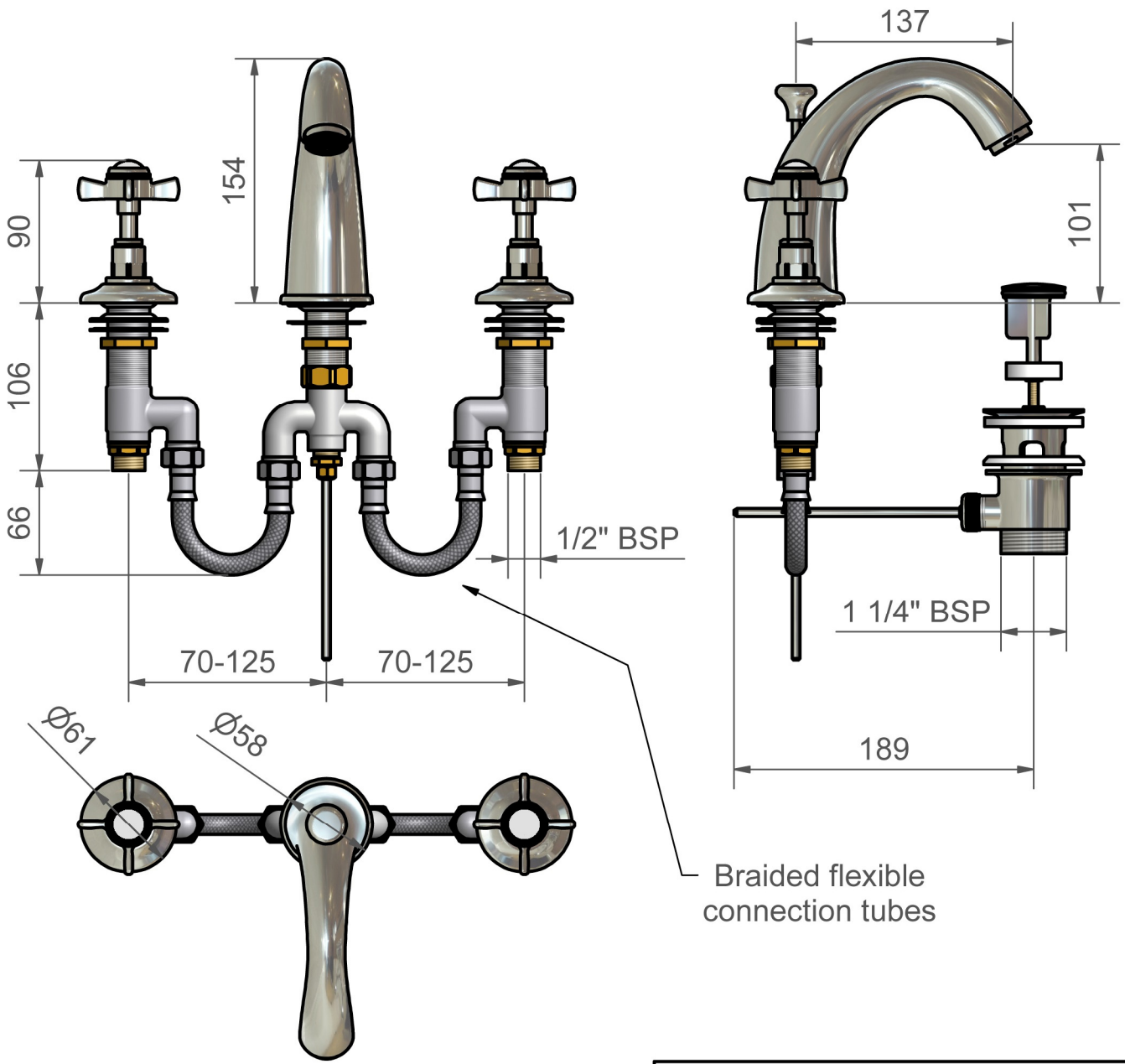


EDWARDS & CO

Item	Basin mixer set
Date	Mar 2010
ALL DIMENSIONS SHOWN IN mm.	



Braided flexible connection tubes

Pack Details:-  
Units of 1, xxcm x xxcm x xxcm.  
Product Weight xxKg.  
Total Pack Weight xxKg.

Min. Working Pressure 0.1Bar  
Flow @ 0.1 Bar (Marflow Test Rig) X l/min.

