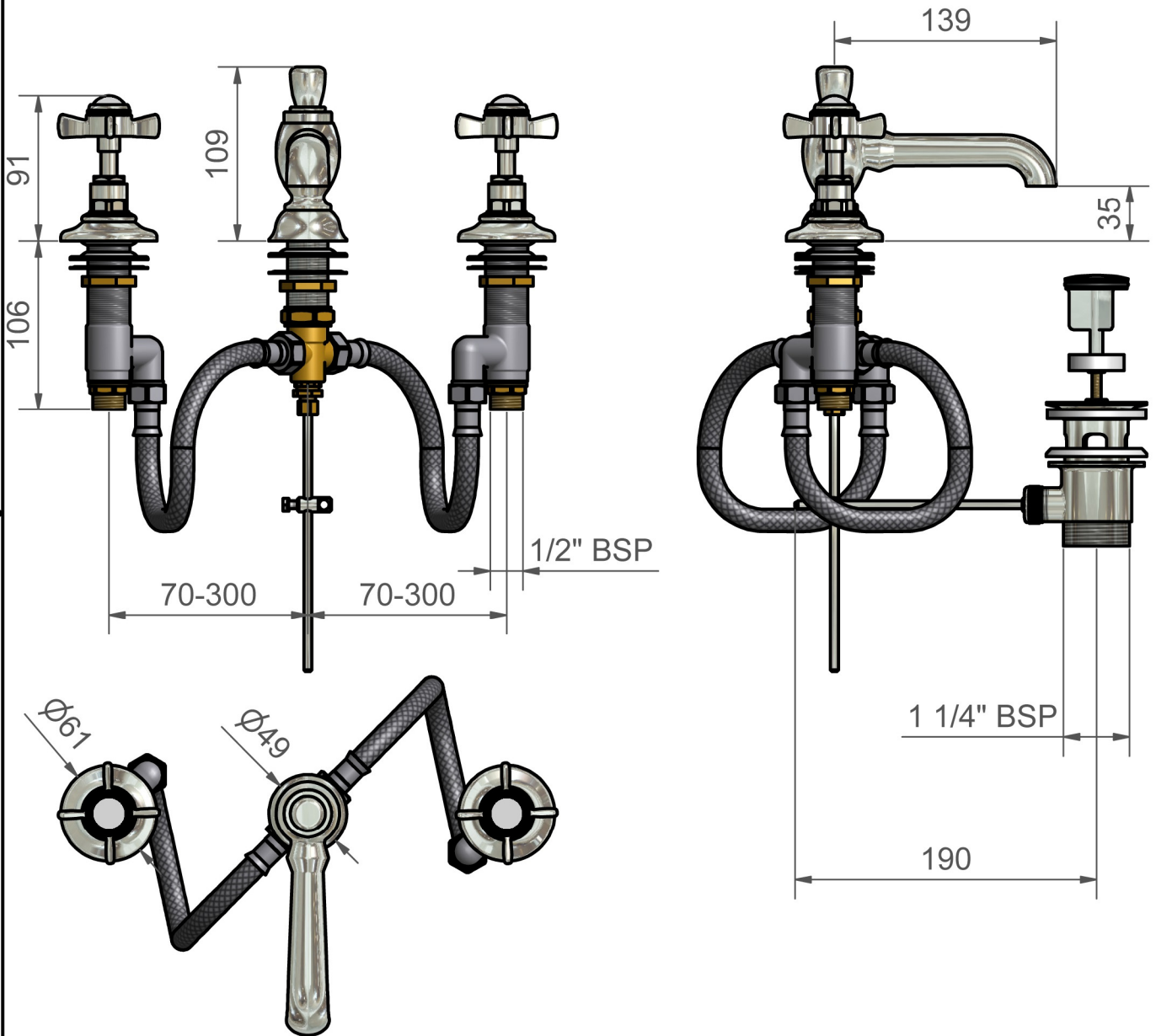


EDWARDS & CO

Item Basin mixer set

Date May 2010

ALL DIMENSIONS SHOWN IN mm.



Pack Details:-
Units of 1, 17cm x 15cm x 48cm.
Product Weight 2.8Kg.
Total Pack Weight 3.3Kg.

Min. Working Pressure 0.1Bar
Flow @ 0.1 Bar (Marflow Test Rig) X l/min.

