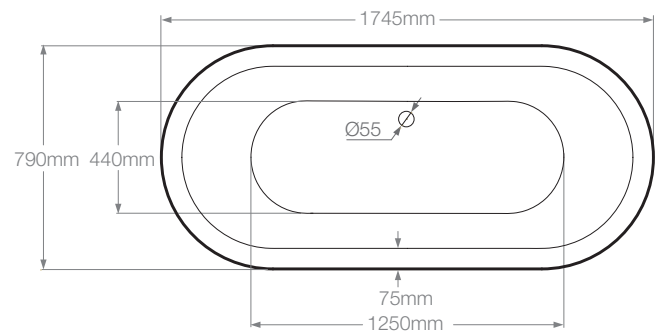
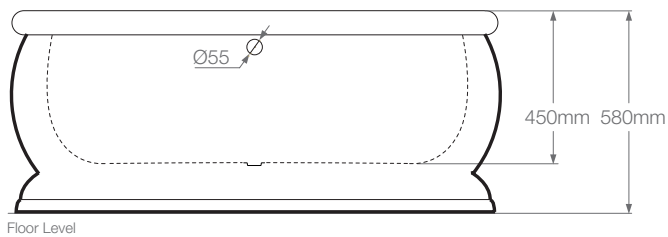


# Aldo

L 1745 x W 790 x H 580 mm

Royce Morgan



## General Specification

Litres to overflow: 190 litres

Weight: 37kg

Weight (with water): 227kg

Tap Holes: No tap holes, suitable for freestanding or wall mounted taps

Lifetime Guarantee (*Terms & Conditions apply*)

## Recommended Waste

W4: Concealed Chain Waste

W5: Concealed Pop-up Waste

W13: Concealed Click Clack Waste

## Accessories

W11: Over Edge Chrome Pipe Shrouds

W14: Over Edge Chrome Pipe Shrouds  
(with Handle for Bath Shower Mixer)

W15: 40mm Flexible Waste Pipe

**Please Note:** We strongly recommend that you use a suitably qualified installer. We cannot accept responsibility for incorrect installation.  
RM2012 - N.B Dimensions may vary due to the handmade construction of the baths.

[www.roycemorgan.co.uk](http://www.roycemorgan.co.uk)