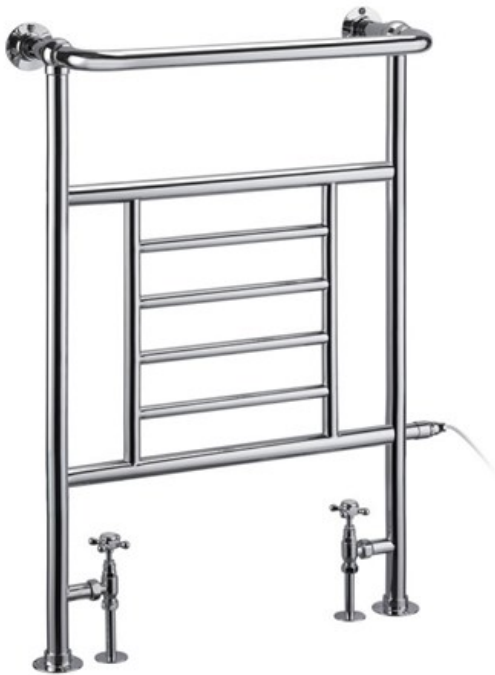


# Burlington®

Simply Exclusive  
Classically styled bathrooms



## Vincent radiator with angled valves

R5 CHR Vincent - chrome

**Barcode:** R5 CHR (5055806006133)

### Technical Specification

**Size:** 642 x 235 x 950 mm

**Code:** R5 CHR

**Finishes:** Chrome

**Product Type:** Traditional

**Material:** Steel

**Weight:** 6.7 kg

**Overall Height:** 95cm

### Additional information

950mm High x600mm Wide.32mm tubes.

Output:1101BTUs/266 watts(ΔT=50°C)..

Distance from wall to the rail is 110mm.

Fill the radiator approximately 90% (2.6L) with a water mixture if the radiator is to be used for electric heating only (not connected to a central heating system)

Includes all brackets and fixings.

High quality chrome plated finish.

Valves are required- These are not included.

Designed to be plumbed into your central heating system.

Operating pressure up to 8 bar.(Certified by BEN N.L)

Maximumworking temperature:95°C

420mm plumbing pipe centers



### Compliance/Approvals:

**BS EN442-1:2003**

Specification for radiators and convectors. Technical specifications and requirements

BS EN442-2:2003

Specification for radiators and convectors. Test methods and rating

Chrome plated to **BS EN248:2002**

Sanitary tapware. General specification for electro deposited coatings of Ni-Cr

Burlington®

Simply Exclusive  
*Fabulous yet simplistic bathrooms*

