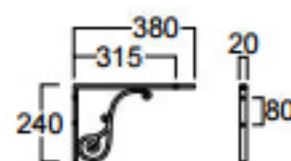
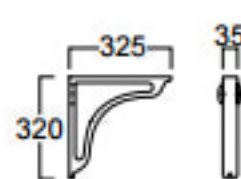
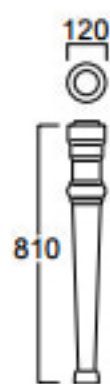
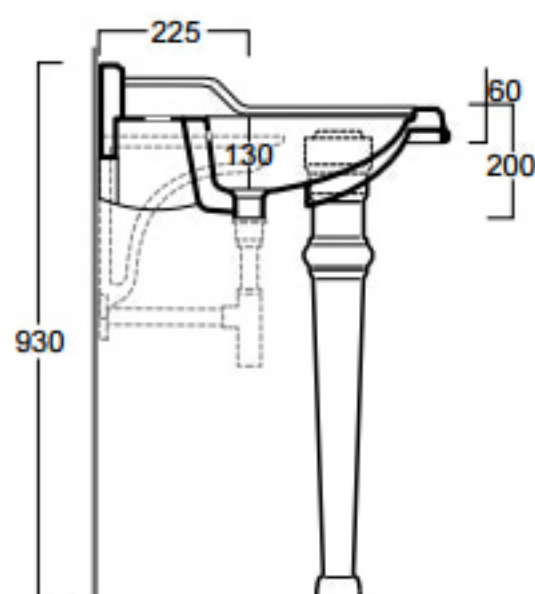
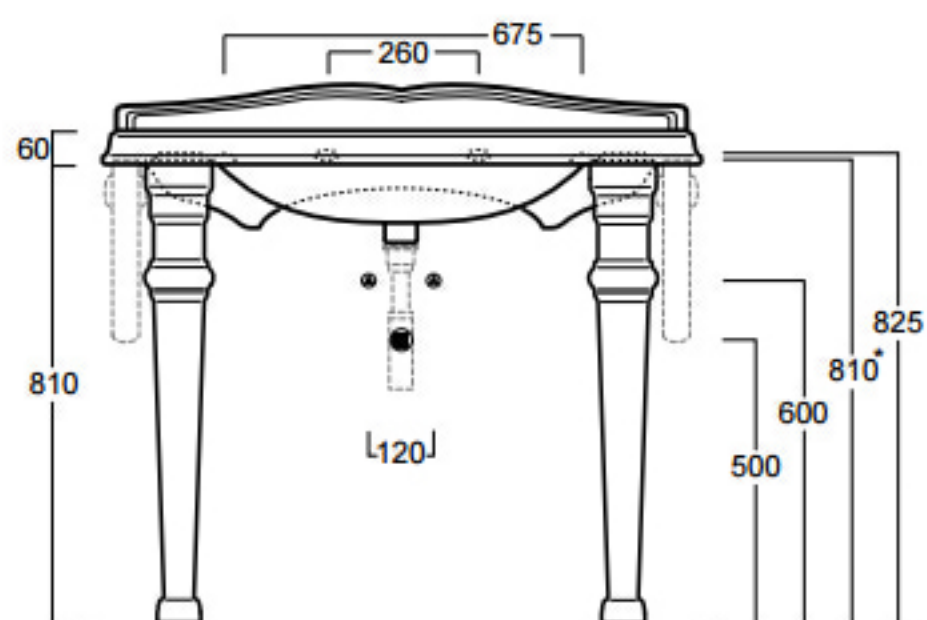
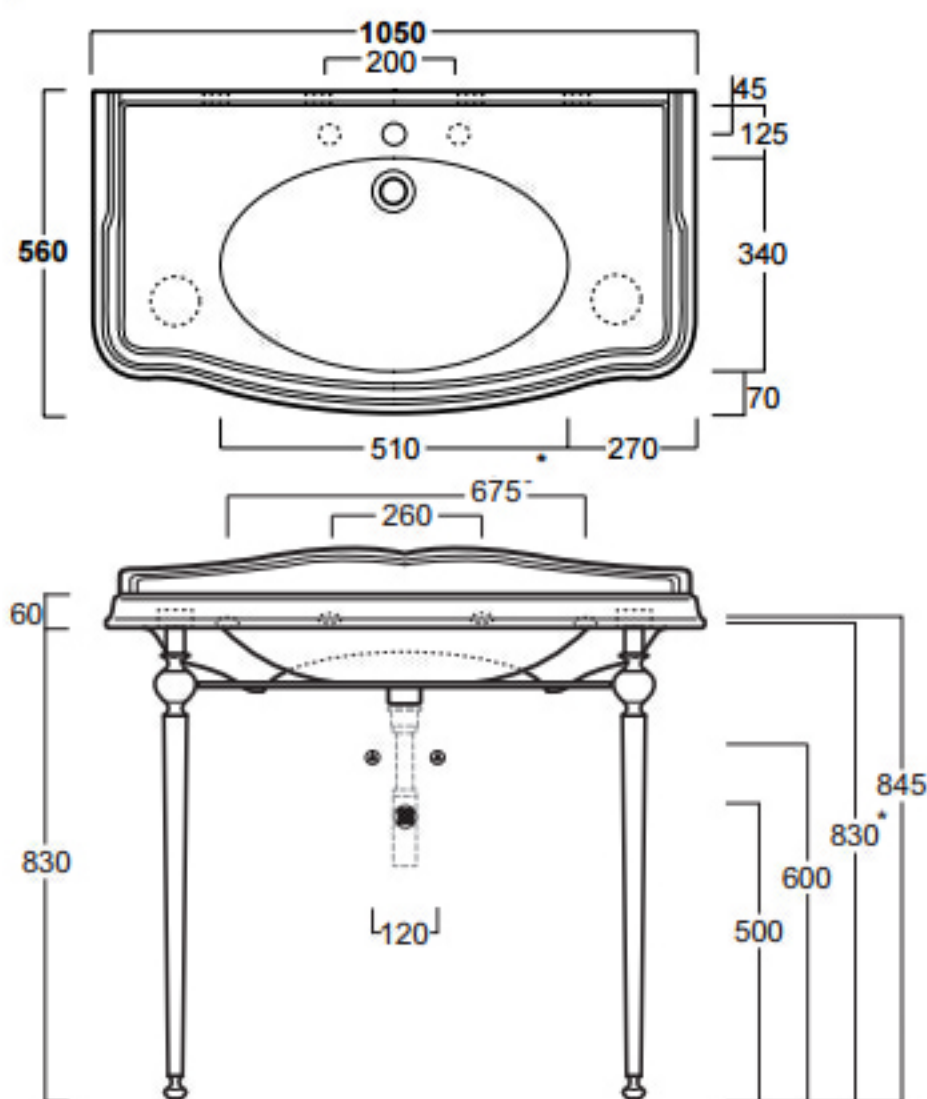


# Old England Suffolk 105cm Console Basin Metal Stand; 2 Ceramic Legs; Ceramic Brackets; 2 White Lacquered Metal Brackets



## Technical Drawings

Single hole console 105 pre-punched for three tap holes. To be mounted on stand, legs or brackets



## Accessories available

- Ceramic Leg GB 001
- Stand AR CG1
- A set of ceramic brackets MNSLEN
- A set of metal brackets MNSAR
- Mirror cm. 83 white/walnut finish ARS2
- Trap for washbasin/bidet 1<sup>1/4</sup> art.120042
- Set of fixing screw F89