



# CENTURY G9 IP44 WALL LIGHT

## INSTALLATION INSTRUCTIONS

These instructions are provided for your safety.  
Please read carefully before commencing work and retain for future reference.

### SAFETY INFORMATION

- \* We recommend any electrical wiring in the bathroom is carried out by a qualified electrician. All wiring must comply with the current edition of the IEE wiring regulations and relevant Building Regulations.
- \* If you are in any doubt consult a person competent to give advice on the installation of electrical equipment.
- \* Before installation and servicing disconnect the electricity supply at the fuse board.
- \* To avoid damage to concealed wiring during installation, establish the direction of the supply cable before drilling fixing holes.
- \* This fitting is rated IP44 and is suitable for use in Zones 1 & 2 of a bathroom when fitted in accordance with IEE wiring regulations (see diagram on box). Product should be connected to a supply protected by a 30mA RCD in Zone 1 & 2.
- \* This fitting is Class 2  therefore no earth is required and should be fitted to a lighting supply protected by a 5 amp fuse or equivalent circuit breaker.
- \* Always switch off at the mains and allow lamps to cool down before handling.
- \* Do not operate the fitting without the glass being correctly fitted to prevent water / moisture ingress.
- \* This fitting is designed for use with self-shielded tungsten halogen lamps only = 

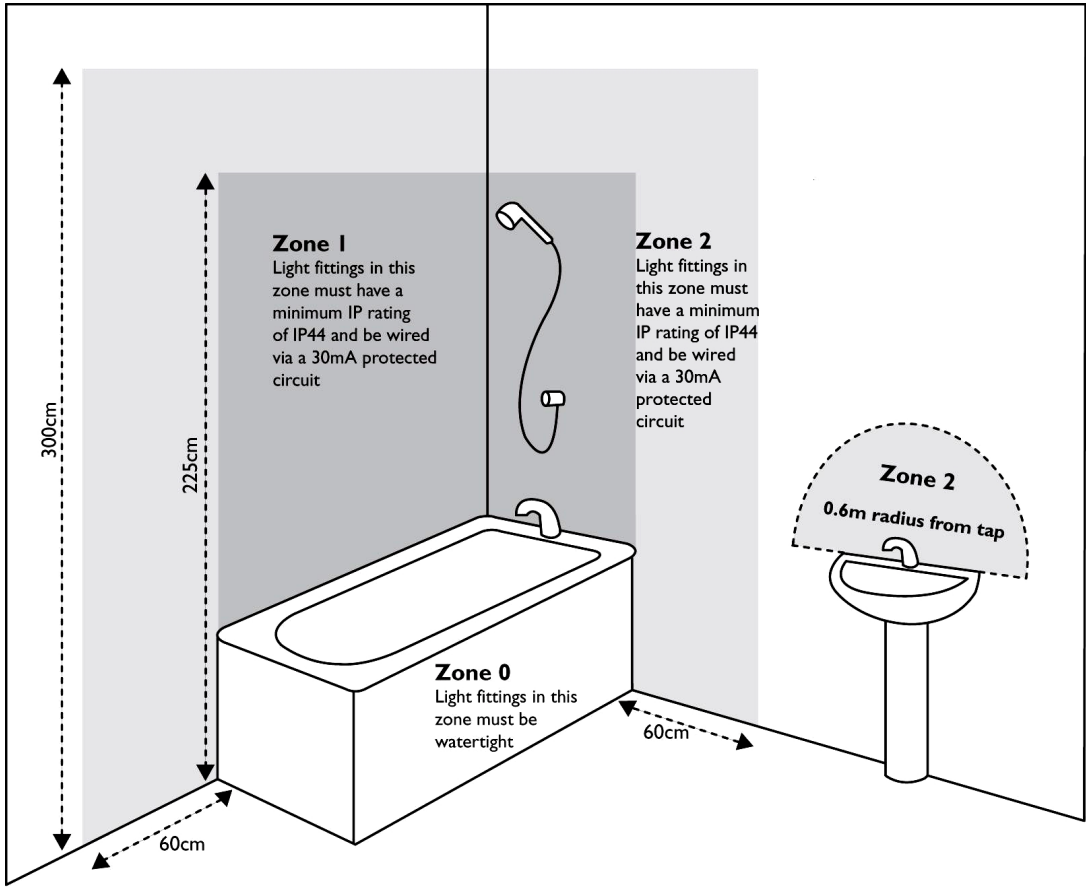
**NOTE: SUITABLE FOR WALL MOUNT ONLY – WITH SWITCH PULL CORD AT THE BOTTOM OF FITTING**

### INSTALLATION

1. Ensure the house electricity supply is off at the fuse board. ①
2. If you are fitting this unit in place of an existing wall light, you may find that there are more than 3 sets of cables connected. Before removing the existing fitting, carefully note the position of each set of cables. If there are loop in cables that are not connected to the light these must be terminated in a separate terminal block not connected to the fitting.
3. Remove the back plate from the fitting by removing the 2 x screws at the sides of fitting and retain screws and any washers for later.
4. Using the back plate as a template, mark and drill the fixing holes. ② Ensure fixing holes are located in a solid or other suitable mounting surface. ③
5. Make a suitable size hole in the rubber grommet on the backplate for cable to pass through. Pass cable from the wall through grommet in the backplate ensuring it makes a good watertight seal around cable. Attach backplate onto the wall using suitable screws, ensuring that they are firmly fixed to the wall or other suitable mounting.
6. Use a screwdriver to lever open the connector block housing and feed supply cable through the rubber sleeve. Whilst supporting the weight of the fitting, make electrical connections as follows: ④  
Connect supply live (normally brown or red) to fitting live (marked “L”) on the terminal block.  
Connect supply neutral (normally blue or black) to fitting neutral (marked “N”) on the terminal block.  
**Please note: No earth should be connected to any part of this fitting. If any earth wires are present please terminate these in a separate terminal block (not supplied) to ensure that continuity is maintained for the earth circuit.**  
Ensure electrical connections are tight and no loose strands of wire are left out of the terminal block. Ensure terminals and rubber sleeves are correctly seated to prevent water ingress and that any basic insulation is covered with several layers of insulation tape to ensure double insulation is maintained.
7. Attach the fitting onto the back plate then secure into position using screws and any washers removed earlier. ⑤  
**Take care not to damage or trap wiring and also make sure the pull switch and cord mechanism is not obstructed.**
8. **Fit the bulb:** type and wattage as indicated on the fitting. ⑥ **The wattage indicated must not be exceeded.** Do not touch halogen bulbs with bare hands, as this will shorten their life.
9. Screw the glass onto the fitting until a seals are slightly compressed. **NO NOT OVER TIGHTEN THE GLASS.** ⑦
10. Switch on the electricity supply at the fuse board.

**GENERAL INFORMATION**

This fitting is designed for internal use only and must be fitted to a DRY SURFACE as any dampness in plaster or paint can damage the finish. **Do not use polish or abrasive cleaner - just a soft dry cloth.**



**This light is IP44 making it suitable for Zones 1 and 2**

