

# ELBA IP44 G9 WALL / CEILING FITTING


## INSTALLATION INSTRUCTIONS

<p>These products are sold individually</p>
-------------------------------------------------

These instructions are provided for your safety.

Please read carefully before commencing work and retain for future reference.


### SAFETY INFORMATION

- \* We recommend that a qualified electrician carry out any electrical wiring in the bathroom.
- \* If you are in any doubt consult a person competent to give advice on the installation of electrical equipment.
- \* This fitting should be fitted in accordance with current IEE Wiring Regulations and Building Regulations.
- \* This fitting is rated IP44 and is suitable for use in Zones 1 & 2 of a bathroom, when fitted in accordance with IEE Wiring Regulations (see accompanying diagram). Fitting must be connected to a supply protected by a 30mA RCD in Zone 1.
- \* To prevent electrocution switch off at the mains supply before installing or maintaining this fitting. Ensure other persons cannot restore the electricity supply without your knowledge.
- \* To avoid damage to concealed wiring during installation, establish the direction of supply cable before drilling fixing holes.
- \* This fitting is Class I =  $\frac{1}{\text{I}}$  and should be fitted to a lighting supply (with earth) protected by a 5 Amp fuse or equivalent circuit breaker.
- \*  Suitable for mounting on normally flammable surfaces.
- \* Always be sure to use the correct type and wattage of lamps as indicated on the fitting. Never exceed the wattage stated.
- \* When changing the lamp, always switch off at the mains and allow the old lamp to cool down before handling. Dispose of used lamps carefully.

### INSTALLATION

1. Ensure the house electricity supply is off at the fuse board.
2. Before removing the existing product, carefully note the position of each set of cables. If there are loop in cables that are not connected to the light these must be terminated in a separate terminal block not connected to the fitting.
3. Remove the backplate from fitting by undoing retaining screws then use as a template, mark and then drill the fixing holes in the wall or ceiling (ensure that the holes are drilled into a joist or other suitable mounting and not just the plaster).
4. Make a suitable size hole in the rubber grommet in the backplate for cable to pass through. Pass cable from the wall or ceiling through grommet in the backplate ensuring it makes a good watertight seal around cable.
5. Attach backplate to the wall or ceiling with suitable screws. Take care not to damage wiring and ensure switch pull cord (for the wall) is positioned vertical at the bottom of backplate. Note: screw holes must be sealed with rubber washers supplied in screw pack.
6. The weight of fitting must be supported whilst you make electrical connections.  
Connect the supply live (normally brown or red) to fitting live (marked "L") on the terminal block.  
Connect the supply neutral (normally blue or black) to fitting neutral (marked "N") on the terminal block.  
Connect the supply earth (normally green/yellow or unsheathed) to earth (marked " $\frac{1}{\text{E}}$ ") on terminal block.

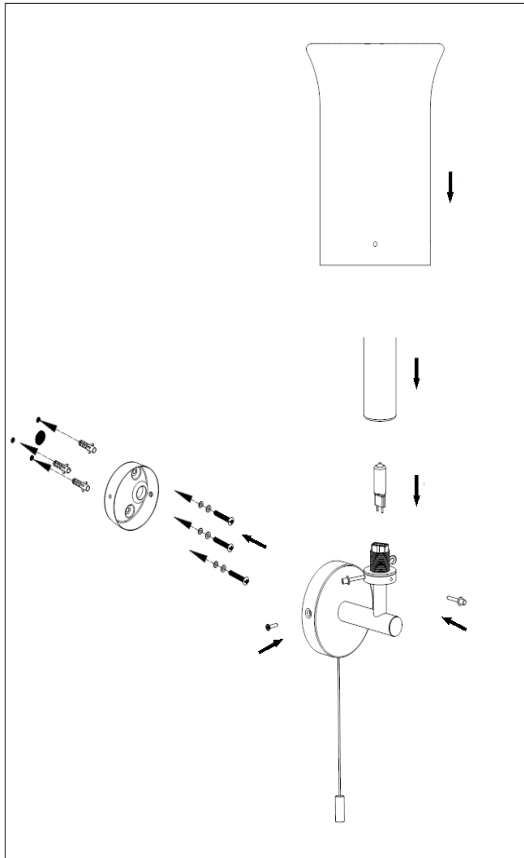
**NOTE:** Ensure electrical connections are tight and no loose strands of wire are left out of the terminal block.

7. Offer fitting to backplate and align fixing holes, use the screws and any washers removed earlier to secure fitting to the backplate. **Take care not to damage wiring.**
8. **Fit the bulbs**, type and wattage as indicated on the fitting. **The wattage indicated must not be exceeded.** Use only self shielded bulbs.  Do not touch halogen bulbs with bare hands as this will shorten their life.
9. Ensure silicon seal is correctly seated on the lighting head then fit frosted glass by screwing onto the bulb holder, ensure this is tightened sufficiently against the silicone seal.
10. **To fit the decorative glass(s)**, align fixing holes with those on the glass then secure in place with screw pins supplied.
11. Switch on the electricity supply at the fuse board.

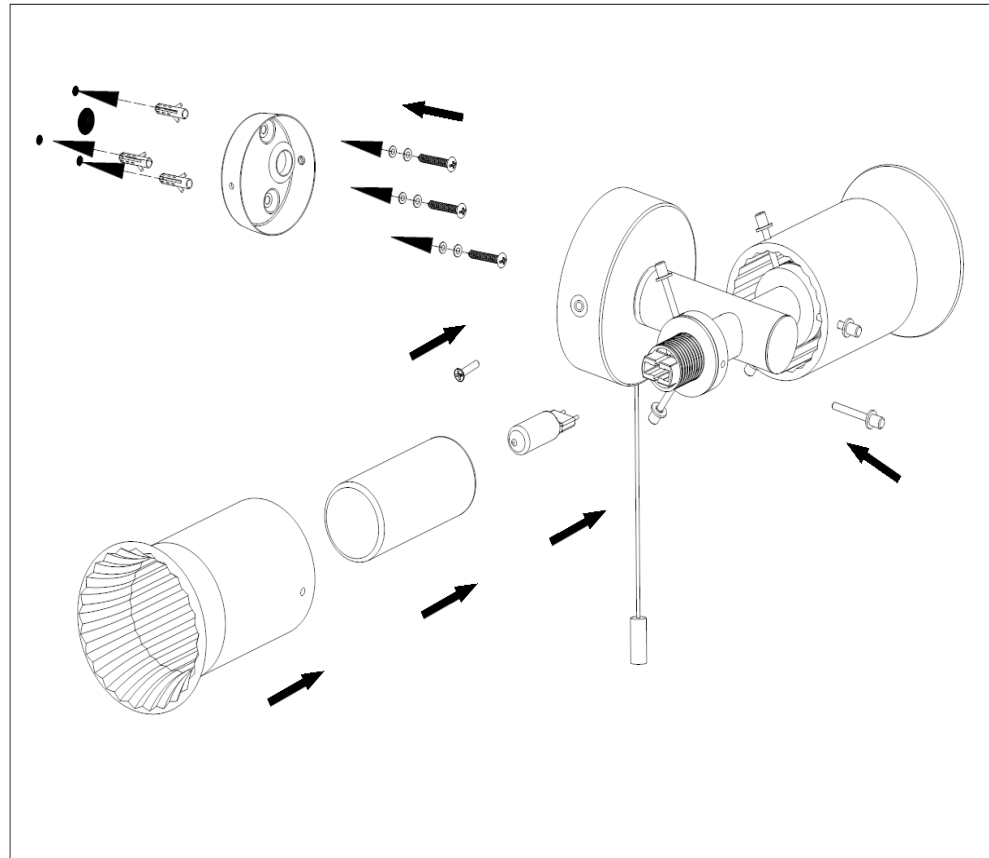
### GENERAL INFORMATION

This fitting is designed for internal use only and must be fitted to a DRY SURFACE as any dampness in

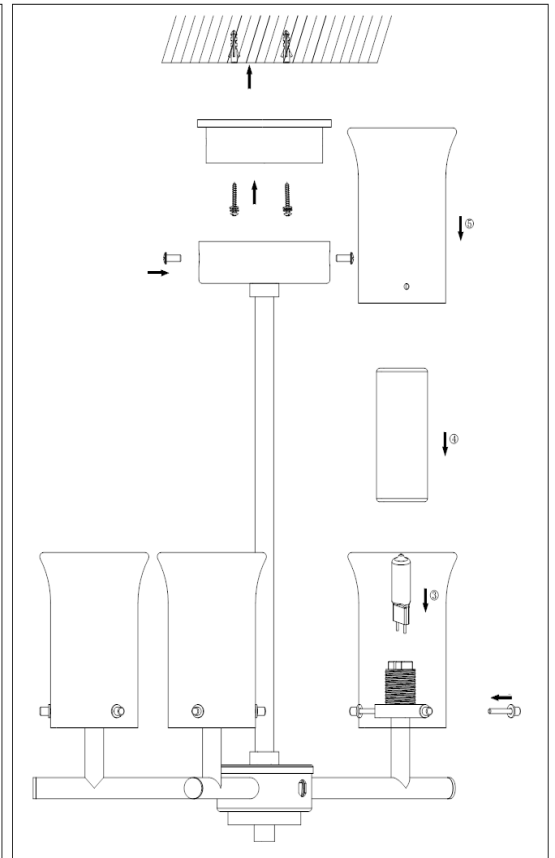
plaster or paint can damage the finish. **Do not use polish or abrasive cleaner - just a soft dry cloth.**



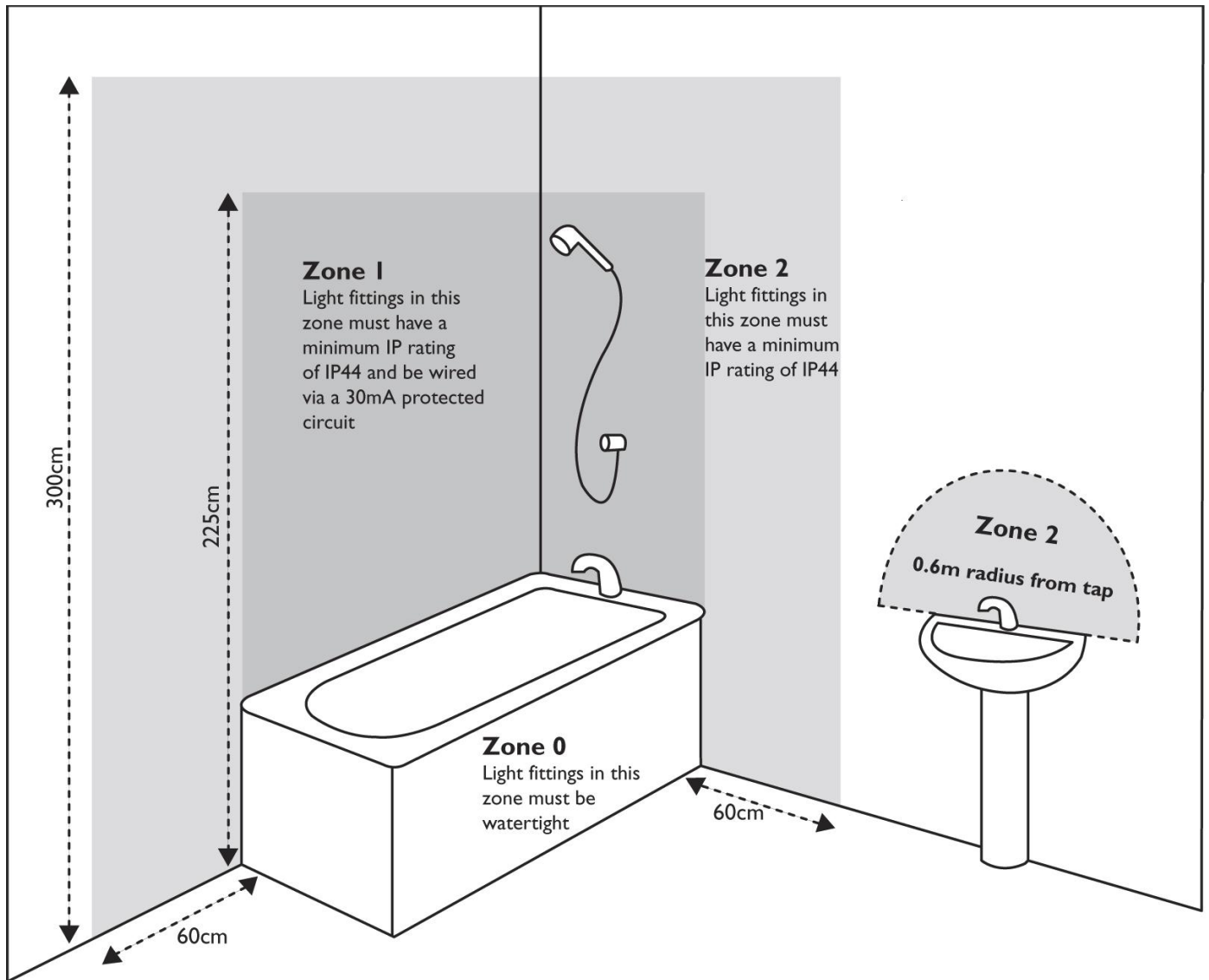
Elba Single Wall Light



Elba Double Wall Light



Elba Ceiling Fixture



**This light is IP44 making it suitable for Zones 1 and 2**

**ELBA IP44 G9 WALL / CEILING FITTING**