

Burlington®

Welcome to the Bathroom Brands Technical Whitebook



[Home](#) > [Whitebook](#) > [Arcade Basins](#) > [Single Basins](#) > 600mm basin

600mm basin



Product Options

As Shown

ARC600 3TH 600mm Arcade basin 3TH
ARC22 600mm Arcade floor stand for basin

Colour

ARC22 - floor stand - nickel plated
ARC600 3TH - basin - white

Material

ARC22 - floor stand - stainless steel
ARC600 3TH - basin - vitreous china

Size

ARC22 - 595 x 520 x 727mm
ARC600 3TH - 525 x 605 x 200mm

Nett Weight

ARC22 - floor stand - 17kg
ARC600 3TH - basin - 20.4kg

Gross Weight Including Packaging

ARC22 - floor stand - 19.1kg
ARC600 3TH - basin - 22.55kg

Packed Dimension

ARC22 - 630 x 565 x 225 = 0.0801 m³
ARC600 3TH - 630 x 550 x 230 = 0.0797 m³

Tap Hole Options

0,1,2 or 3

Guarantee

Lifetime guarantee*

[*Full terms & conditions here](#)

Standards Information

ARC22 - WRAS Not Applicable
ARC600 3TH - WRAS Not Applicable
BS EN 14688:2015
BS EN 31:2011

Additional Information

To order the correct tap hole configuration simply use NTH, 1TH, 2TH or 3TH at the end of the basin product code.

The overflow is to solve the issue of a dripping tap if the plug is left in. It is not designed to take a flowing tap.

A chrome overflow ring available as optional item(A68 CHR).

Compatible Products

ARCW18 NKL - Arcade flip top basin waste (for basins with overflow)
ARCW14 NKL - Arcade traditional bottle trap with extended wall tube
ARCW19 NKL - Arcade waste exposed back nut
ARCW14 CHR - Arcade traditional bottle trap with extended wall tube
ARCW18 CHR - Arcade flip top basin waste (for basins with overflow)

mounting options



pedestal



basin stand



ceramic console legs

overflow finish options



nickel overflow



chrome overflow

tap hole options



no tap holes



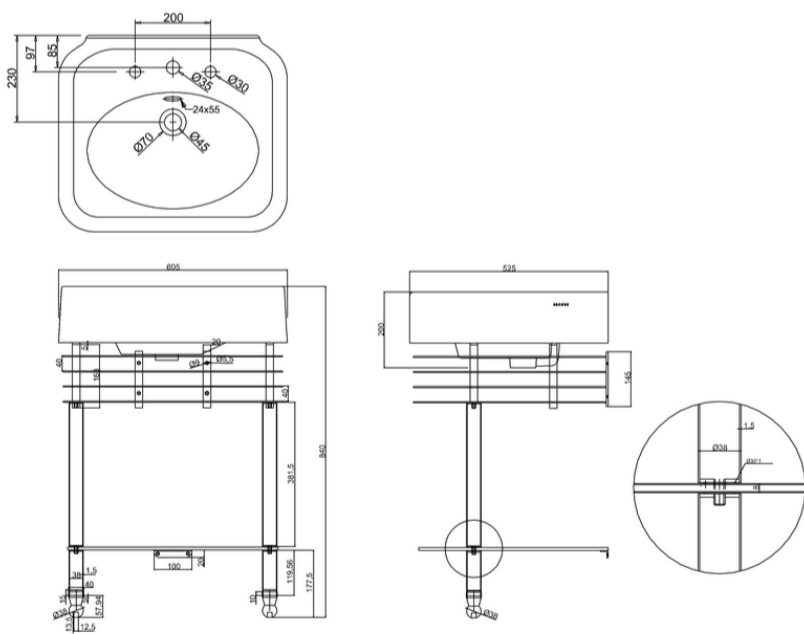
1 tap hole



2 tap holes



3 tap holes



Spare parts (click to display spare parts for this product)



Downloads

- Instructions - PDF - ARC22 (English)
- Instructions - PDF - ARC22 (French)
- 2D CAD-File - DWG - ARC600 3TH ARC22
- 2D Drawing - PDF - ARC600 3TH ARC22
- 3D DWG - File - DWG - ARC600 3TH ARC22
- 3D DXF - File - DXF - ARC600 3TH ARC22
- 3D IGS - File - IGS - ARC600 3TH ARC22
- 3D RFA BIMM Objects - File - RFA - ARC600 3TH ARC22
- Cutout image 1 - jpg
- Cutout image 2 - jpg

* Please note that some of the drawings might not be drawn to scale. Please refer to actual dimensions marked on the drawings.