

Burlington®

Welcome to the Bathroom Brands Technical Whitebook



[Home](#) > [Whitebook](#) > [Ceramic WC](#) > [Bidets](#) > Arcade back-to-wall bidet with overflow & one tap hole

Arcade back-to-wall bidet with overflow & one tap hole



As Shown

ARC7 Arcade back to wall bidet 1TH

Colour

ARC7 - bidet - white

Material

ARC7 - bidet - vitreous china

Size

ARC7 - 523 x 367 x 460mm

Nett Weight

ARC7 - bidet - 23kg

Gross Weight Including Packaging

ARC7 - bidet - 24.85kg

Packed Dimension

ARC7 - 548 x 392 x 490 = 0.1053 m3

Guarantee

Lifetime guarantee*

[*Full terms & conditions here](#)

Standards Information

ARC7 - WRAS Not Applicable

BS EN 14528:2015

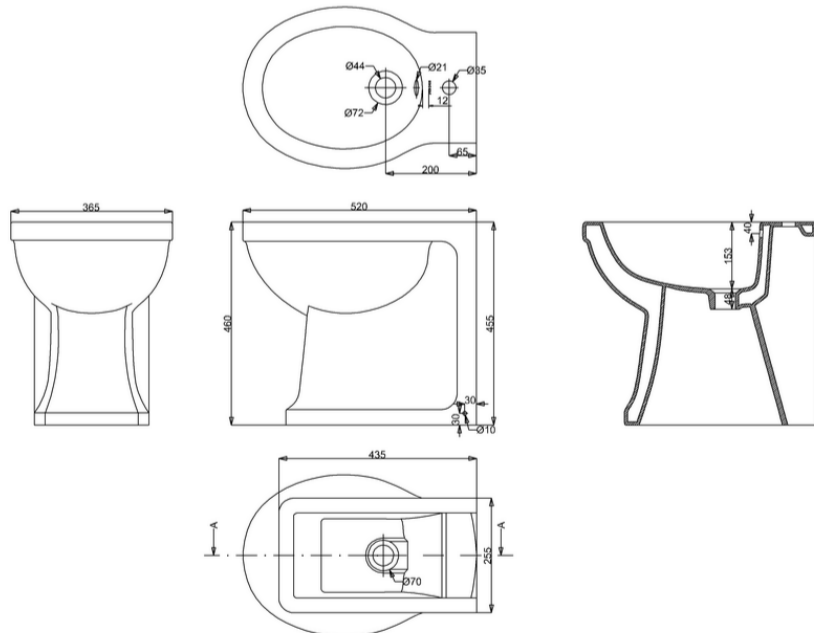
[Spare parts \(click to display spare parts for this product\)](#)



Downloads

2D CAD-File - DWG - ARC7	
2D Drawing - PDF - ARC7	
3D DWG - File - DWG - ARC7	
3D DXF - File - DXF - ARC7	
3D IGS - File - IGS - ARC7	
3D RFA BIMM Objects - File - RFA - ARC7	
Lifestyle image 1 -	jpg tiff
Cutout image 1 -	jpg

* Please note that some of the drawings might not be drawn to scale. Please refer to actual dimensions marked on the drawings.



© Bathroom Brands Group Limited

[Guarantee](#) |

[Privacy Policy](#) |

[Legal Notices](#)