

Burlington®

Welcome to the Bathroom Brands Technical Whitebook



[Home](#) > [Whitebook](#) > [Taps & Wastes](#) > [Bath Taps](#) > Arcade bath shower mixer wall-mounted with handle

Arcade bath shower mixer wall-mounted with handle



As Shown

ARC 2019 NKL Arcade bath shower mixer - wall mounted with brass handle handset - nickel

ARC67 NKL brass tap levers (pair)

ABBL19N - Combined product code

Colour

ARC 2019 NKL - tap - nickel

ARC67 NKL - tap handles - nickel

Material

ARC 2019 NKL - tap - brass

ARC67 NKL - tap handles - brass

Size

ARC 2019 NKL - 272 x 245 x 314mm

ARC67 NKL - 105 x 28 x 44mm

Nett Weight

ARC 2019 NKL - tap - 3.9kg

ARC67 NKL - tap handles - 0.47kg

Gross Weight Including Packaging

ARC 2019 NKL - tap - 5kg

ARC67 NKL - tap handles - 0.55kg

Packed Dimension

ARC 2019 NKL - 510 x 280 x 330 = 0.0471 m³

ARC67 NKL - 155 x 75 x 40 = 0.0005 m³

Guarantee

15 year guarantee*

[*Full terms & conditions here](#)

Standards Information

ARC 2019 NKL - UK Compliant

ARC67 NKL - WRAS Not Applicable

BS EN 200:2008

BS EN 817:2008

Additional Information

Recommended pressure 1 Bar Minimum.

Supplied with flow straighter for use with low water pressure

Also supplied with aerator for use with high water pressure

Product Options

finish options



chrome



nickel

handle options



crosshead handle



brass lever



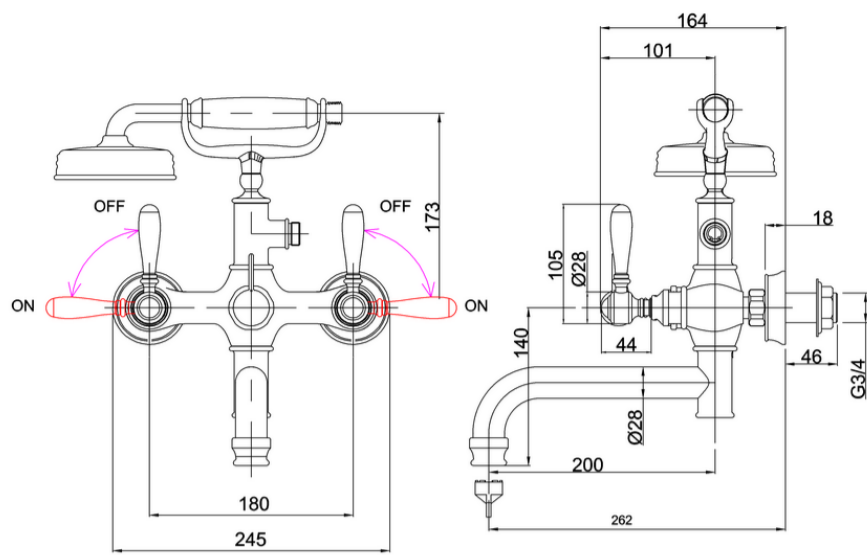
white ceramic lever



gloss black ceramic lever

Flow Rates

System Pressure	0.2 bar	0.5 bar	1 bar	2 bar	3 bar	4 bar	5 bar
Flow Straighter	8.62	14.94	21.9	31.29	38.66	44.55	49.32
Aerator	4.66	7.35	10.39	15.42	19.03	21.22	24.88
Handset	2.2	4.21	6.54	9.84	12.44	14.78	17.03

[Spare parts \(click to display spare parts for this product\)](#)

Downloads

	Instructions - PDF - ARC67 NKL (English)	
	Instructions - PDF - ARC 2019 NKL (English)	
	Instructions - PDF - ARC67 NKL (French)	
	Instructions - PDF - ARC 2019 NKL (French)	
	2D CAD-File - DWG - ABBL19N	
	2D Drawing - PDF - ARC19 NKL with brass lever	
	3D DWG - File - DWG - ABBL19N	
	3D DXF - File - DXF - ABBL19N	
	3D IGS - File - IGS - ABBL19N	
	3D RFA BIMM Objects - File - RFA - ABBL19N	
	Cutout image 1 -	jpg

* Please note that some of the drawings might not be drawn to scale. Please refer to actual dimensions marked on the drawings.