

Burlington®

Welcome to the Bathroom Brands Technical Whitebook



[Home](#) > [Whitebook](#) > [Taps & Wastes](#) > [Basin Taps](#) > Arcade mini single-lever basin mixer without pop up waste

Arcade mini single-lever basin mixer without pop up waste



As Shown

ARC 2035 CHR Arcade mini single lever basin mixer without pop up waste - chrome
ARC67 CHR brass tap levers (pair)

ABBL35C - Combined product code

Colour

ARC 2035 CHR - tap - chrome
ARC67 CHR - tap handles - chrome

Material

ARC 2035 CHR - tap - brass
ARC67 CHR - tap handles - brass

Size

ARC 2035 CHR - 132 x 48 x 167mm
ARC67 CHR - 105 x 28 x 44mm

Nett Weight

ARC 2035 CHR - tap - 0.9kg
ARC67 CHR - tap handles - 0.47kg

Gross Weight Including Packaging

ARC 2035 CHR - tap - 1.2kg
ARC67 CHR - tap handles - 0.55kg

Packed Dimension

ARC 2035 CHR - 285 x 235 x 72 = 0.0048 m³
ARC67 CHR - 155 x 75 x 40 = 0.0005 m³

Guarantee

15 year guarantee*

[*Full terms & conditions here](#)

Standards Information

ARC 2035 CHR - UK Compliant
ARC67 CHR - WRAS Not Applicable
BS EN 200:2008

Additional Information

Supplied with flow straighter for use with low water pressure
Also supplied with aerator for use with high water pressure

Flow Rates

System Pressure	0.2 bar	0.5 bar	1 bar	2 bar	3 bar	4 bar	5 bar
Flow Straighter	3.64	6.06	9.29	13.54	16.69	19.13	21.79
Aerator	2.28	4.07	6.4	9.73	11.97	13.8	15.34

[Spare parts \(click to display spare parts for this product\)](#)



Downloads

Product Options

finish options



[chrome](#)



[nickel](#)

handle options



[crosshead handle](#)



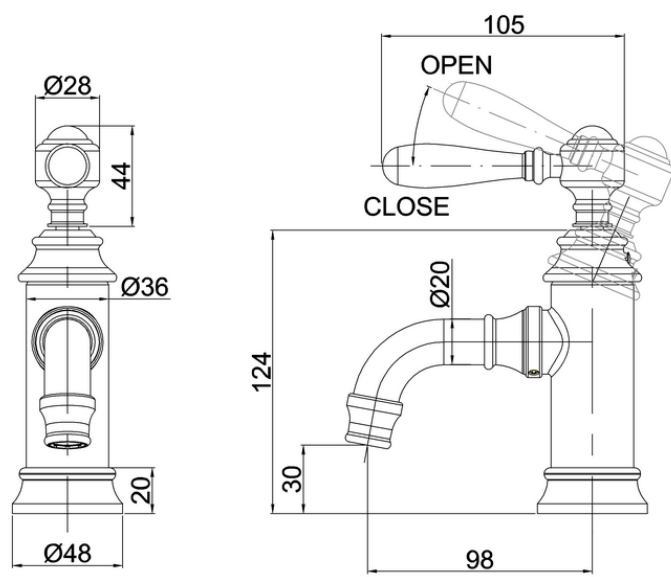
[brass lever](#)



[white ceramic lever](#)



[gloss black ceramic lever](#)



- [Instructions - PDF - ARC67 CHR \(English\)](#)
↓
- [Instructions - PDF - ARC 2035 CHR \(English\)](#)
↓
- [Instructions - PDF - ARC67 CHR \(French\)](#)
↓
- [Instructions - PDF - ARC 2035 CHR \(French\)](#)
↓
- [2D CAD-File - DWG - ABBL35C](#)
↓
- [2D Drawing - PDF - ARC35 CHR](#)
↓
- [3D IGS - File - IGS - ABBL35C](#)
↓
- [3D RFA BIMM Objects - File - RFA - ABBL35C](#)
↓
- [Cutout image 1 -](#)
jpg ↓

* Please note that some of the drawings might not be drawn to scale. Please refer to actual dimensions marked on the drawings.