

Burlington®

Welcome to the Bathroom Brands Technical Whitebook



[Home](#) > [Whitebook](#) > [Taps & Wastes](#) > [Basin Taps](#) > Arcade single-lever basin mixer without pop up waste

Arcade single-lever basin mixer without pop up waste



As Shown

ARC 2012 NKL Arcade single lever basin mixer without pop up waste - nickel
ARC67 NKL brass tap levers (pair)

ABBL12N - Combined product code

Colour

ARC 2012 NKL - tap - nickel
ARC67 NKL - tap handles - nickel

Material

ARC 2012 NKL - tap - brass
ARC67 NKL - tap handles - brass

Size

ARC 2012 NKL - 174.5 x 65 x 176mm
ARC67 NKL - 105 x 28 x 44mm

Nett Weight

ARC 2012 NKL - tap - 1.2kg
ARC67 NKL - tap handles - 0.47kg

Gross Weight Including Packaging

ARC 2012 NKL - tap - 1.4kg
ARC67 NKL - tap handles - 0.55kg

Packed Dimension

ARC 2012 NKL - 285 x 235 x 72 = 0.0048 m³
ARC67 NKL - 155 x 75 x 40 = 0.0005 m³

Guarantee

15 year guarantee*

[*Full terms & conditions here](#)

Standards Information

ARC 2012 NKL - UK Compliant
ARC67 NKL - WRAS Not Applicable
BS EN 200:2008

Additional Information

Supplied with flow straighter for use with low water pressure
Also supplied with aerator for use with high water pressure

Flow Rates

System Pressure	0.2 bar	0.5 bar	1 bar	2 bar	3 bar	4 bar	5 bar
Aerator	2.83	4.9	7.56	10.83	13.61	15.5	17.56
Flow Straighter	4.51	8.34	12.18	17.9	22.26	25.75	29.13

[Spare parts \(click to display spare parts for this product\)](#)



Product Options

finish options



chrome



nickel

handle options



crosshead handle



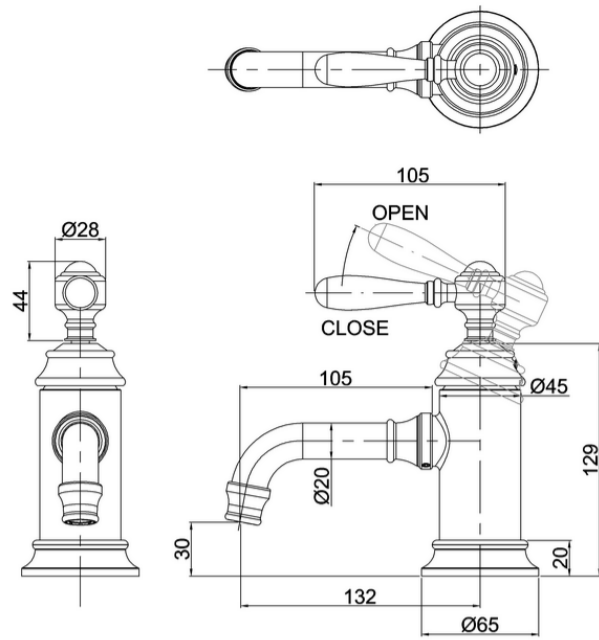
brass lever



white ceramic lever



gloss black ceramic lever



- [Instructions - PDF - ARC67 NKL \(English\)](#)
↓
- [Instructions - PDF - ARC 2012 NKL \(English\)](#)
↓
- [Instructions - PDF - ARC67 NKL \(French\)](#)
↓
- [Instructions - PDF - ARC 2012 NKL \(French\)](#)
↓
- [2D CAD-File - DWG - ABBL12N](#)
↓
- [2D Drawing - PDF - ARC12 NKL](#)
↓
- [3D IGS - File - IGS - ABBL12N](#)
↓
- [3D RFA BIMM Objects - File - RFA - ABBL12N](#)
↓
- [Cutout image 1 -](#)
jpg ↓

* Please note that some of the drawings might not be drawn to scale. Please refer to actual dimensions marked on the drawings.