

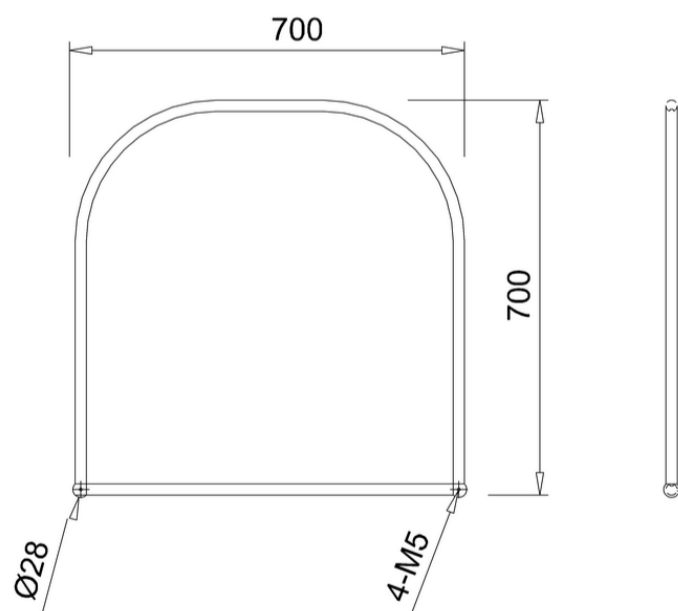
# Burlington®

Welcome to the Bathroom Brands Technical Whitebook



[Home](#) > [Whitebook](#) > [Mirrors](#) > Curved mirror

## Curved mirror



### As Shown

A38 Curved mirror

### Colour

A38 - mirror - chrome plated

### Material

A38 - mirror - stainless steel & glass

### Size

A38 - 700 x 700 x 30mm

### Nett Weight

A38 - mirror - 5kg

### Gross Weight Including Packaging

A38 - mirror - 7kg

### Packed Dimension

A38 - 750 x 750 x 100 = 0.0563 m<sup>3</sup>

### Guarantee

5 year guarantee\*

[\\*Full terms & conditions here](#)

### Standards Information

A38 - WRAS Not Applicable

Chrome plated to **BS EN248:2002**

Sanitary tapware. General specification for electro deposited coatings of Ni-Cr

### Additional Information

All mirrors are sealed with Gunther Seal-Kwik. This ensures that the mirrors are not affected by black-edge - the oxidation of the mirrors edge that occurs in moist environments.

3mm copper-free mirror with anti-shatter safety film

[Spare parts \(click to display spare parts for this product\)](#)



### Downloads



Instructions - PDF - A38 (English)	
Instructions - PDF - A38 (French)	
2D CAD-File - DWG - A38	
2D Drawing - PDF - A38	
3D DWG - File - DWG - A38	
3D DXF - File - DXF - A38	
3D IGS - File - IGS - A38	

---

 3D RFA BIMM Objects - File - RFA - A38



---

 Cutout image 1 - 

jpg 

\* Please note that some of the drawings might not be drawn to scale. Please refer to actual dimensions marked on the drawings.