

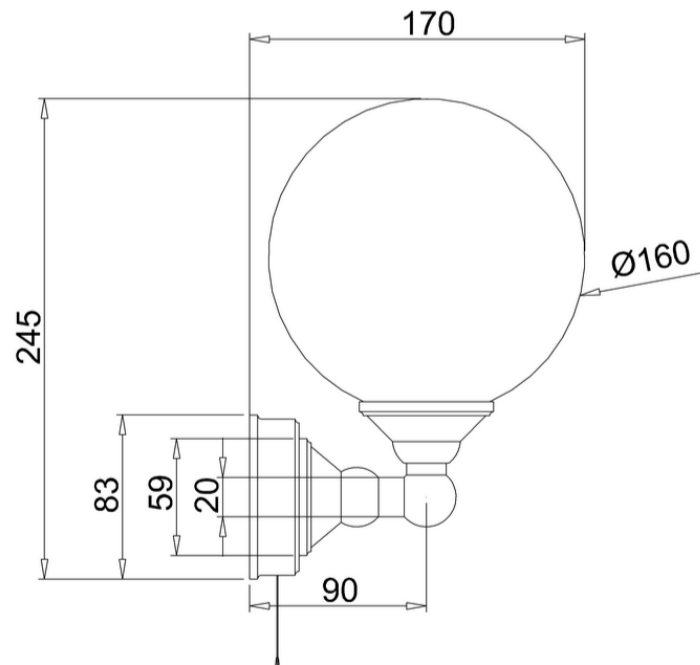
Burlington®

Welcome to the Bathroom Brands Technical Whitebook



[Home](#) > [Whitebook](#) > [Lights](#) > [Lights](#) > Edwardian single round LED light

Edwardian single round LED light



As Shown

T50 Edwardian single round light

Colour

T50 - light - chrome

Material

T50 - light - glass & zinc alloy

Size

T50 - 170 x 160 x 245mm

Nett Weight

T50 - light - 0.85kg

Gross Weight Including Packaging

T50 - light - 1.2kg

Packed Dimension

T50 - 360 x 210 x 190 = 0.0144 m³

Guarantee

5 year guarantee*

[*Full terms & conditions here](#)

Standards Information

T50 - WRAS Not Applicable

BS EN 60598-1:2015+A1:2018

BS EN 60598-2-2:2012

Additional Information

This light is supplied with G9 LED light, They are 3.5 Watts, but give 40 watts of light and have an IP rating of IP44.

The mouth blown glass shades are handmade and may feature unique characteristics such as air bubbles and individual variations

This light is supplied with a blank washer so you can switch the light centrally if desired.

[Spare parts \(click to display spare parts for this product\)](#)



Downloads

- Instructions - PDF - T50 (English)
- Instructions - PDF - T50 (French)
- 2D CAD-File - DWG - T50
- 2D Drawing - PDF - T50
- Cutout image 1 - jpg tiff

* Please note that some of the drawings might not be drawn to scale. Please refer to actual dimensions marked on the drawings.

© Bathroom Brands Group Limited

[Guarantee](#) |

[Privacy Policy](#) |

[Legal Notices](#)