

Burlington®

Welcome to the Bathroom Brands Technical Whitebook



[Home](#) > [Whitebook](#) > [Ceramic WC](#) > [Seats & Accessories](#) > Medium ornate bracket

Medium ornate bracket



As Shown

T32 CHR Medium ornate brackets

Colour

T32 CHR - fittings - chrome

Material

T32 CHR - fittings - brass

Size

T32 CHR - 10 x 154 x 232mm

Nett Weight

T32 CHR - fittings - 0.78kg

Gross Weight Including Packaging

T32 CHR - fittings - 0.95kg

Packed Dimension

T32 CHR - 200 x 100 x 300 = 0.006 m3

Guarantee

15 year guarantee*

[*Full terms & conditions here](#)

Standards Information

T32 CHR - WRAS Not Applicable

BS EN248:2002

Additional Information

Supplied with an extra chrome plated domed screw.

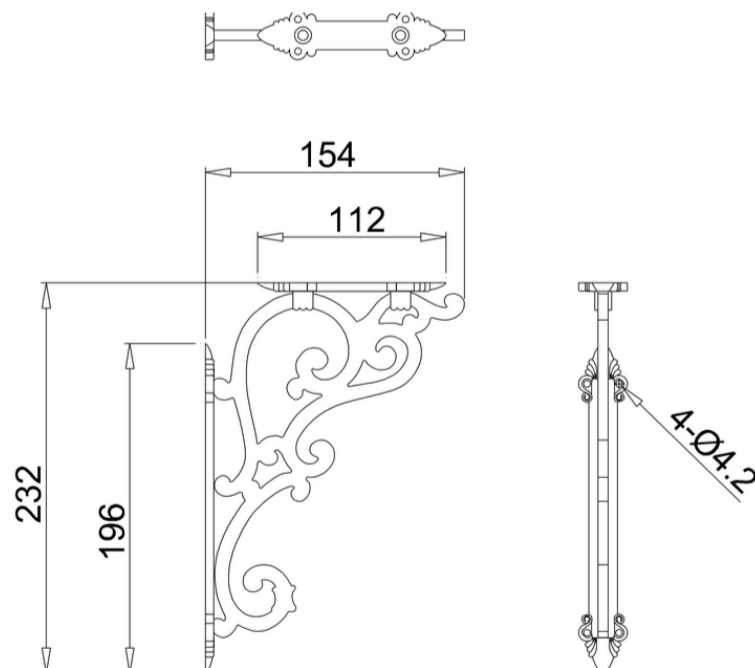
[Spare parts \(click to display spare parts for this product\)](#)



Downloads

2D CAD-File - DWG - T32 CHR	
2D Drawing - PDF - T32 CHR	
3D DWG - File - DWG - T32 CHR	
3D DXF - File - DXF - T32 CHR	
3D IGS - File - IGS - T32 CHR	
3D RFA BIMM Objects - File - RFA - T32 CHR	
Cutout image 1 -	jpg tiff

* Please note that some of the drawings might not be drawn to scale. Please refer to actual dimensions marked on the drawings.



© Bathroom Brands Group Limited

[Guarantee](#) |

[Privacy Policy](#) |

[Legal Notices](#)