

Burlington®

Welcome to the Bathroom Brands Technical Whitebook



[Home](#) > [Whitebook](#) > [Accessories](#) > [Towel rails](#) > Single towel rail

Single towel rail



As Shown

A7 CHR Single towel rail 55cm chrome

Colour

A7 CHR - towel rail - chrome

Material

A7 CHR - towel rail - brass

Size

A7 CHR - 550 x 59 x 60mm

Nett Weight

A7 CHR - towel rail - 0.43kg

Gross Weight Including Packaging

A7 CHR - towel rail - 0.58kg

Packed Dimension

A7 CHR - 580 x 95 x 60 = 0.0033 m³

Guarantee

15 year guarantee*

[*Full terms & conditions here](#)

Standards Information

A7 CHR - WRAS Not Applicable

BS EN248:2002

Additional Information

Supplied with an extra chrome plated domed screw.

Product Options

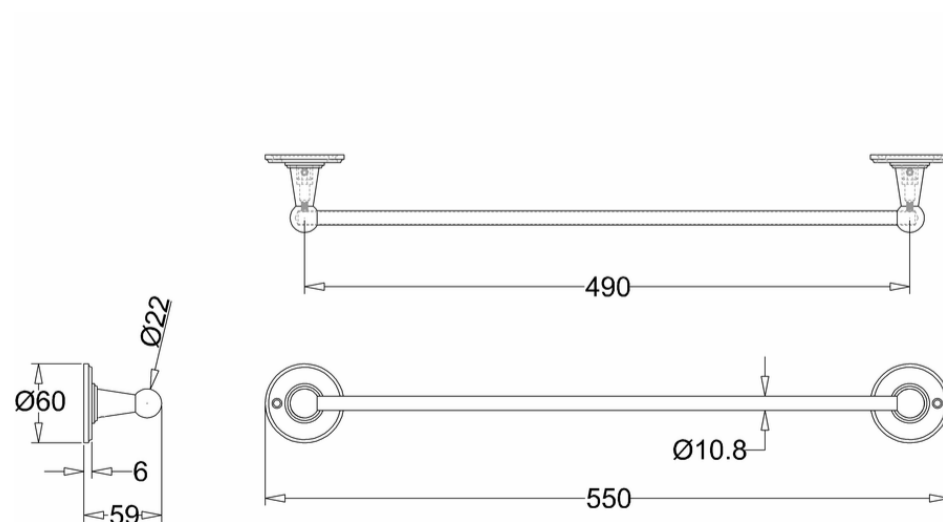
Backplate options



[Chrome backplate](#)



Walnut backplate



Downloads

| | |
|---|-----------|
| Instructions - PDF - A7 CHR (English) | |
| Instructions - PDF - A7 CHR (French) | |
| 2D CAD-File - DWG - A7 CHR | |
| 2D Drawing - PDF - A7 CHR | |
| 3D DWG - File - DWG - A7 CHR | |
| 3D DXF - File - DXF - A7 CHR | |
| 3D IGS - File - IGS - A7 CHR | |
| 3D RFA BIMM Objects - File - RFA - A7 CHR | |
| Cutout image 1 - | jpg |
| Cutout image 2 - | jpg |
| Cutout image 3 - | img tiff |

* Please note that some of the drawings might not be drawn to scale. Please refer to actual dimensions marked on the drawings.