

Burlington®

Welcome to the Bathroom Brands Technical Whitebook



[Home](#) > [Whitebook](#) > [Mirrors](#) > Square swivel mirror with brass wall mounts

Square swivel mirror with brass wall mounts



As Shown

ARCA39 CHR Arcade square swivel mirror

Colour

ARCA39 CHR - mirror - chrome

Material

ARCA39 CHR - mirror - brass

Size

ARCA39 CHR - 590 x 66 x 620mm

Nett Weight

ARCA39 CHR - mirror - 4.06kg

Gross Weight Including Packaging

ARCA39 CHR - mirror - 6.4kg

Packed Dimension

ARCA39 CHR - 665 x 635 x 105 = 0.0443 m³

Guarantee

5 year guarantee*

[*Full terms & conditions here](#)

Standards Information

ARCA39 CHR - WRAS Not Applicable

Chrome plated to **BS EN248:2002**

Sanitary tapware. General specification for electro deposited coatings of Ni-Cr

Additional Information

5mm copper-free mirror with anti-shatter safety film

[Spare parts \(click to display spare parts for this product\)](#)



Product Options

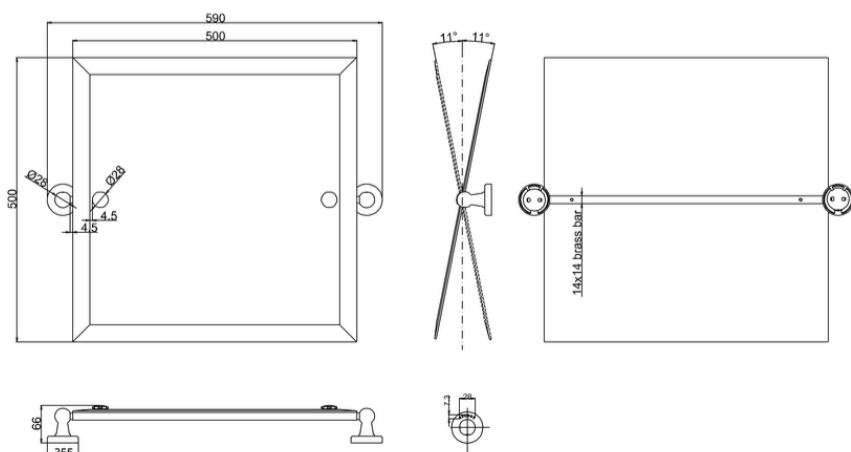
finish options



[chrome](#)



[nickel](#)



Downloads

Instructions - PDF - ARCA39 CHR (English)

Instructions - PDF - ARCA39 CHR (French)

2D CAD-File - DWG - ARCA39 CHR



2D Drawing - PDF - ARCA39 CHR

3D DWG - File - DWG - ARCA39 CHR

3D DXF - File - DXF - ARCA39 CHR

3D IGS - File - IGS - ARCA39 CHR

3D RFA BIMM Objects - File - RFA - ARCA39 CHR

 Cutout image 1 - 

jpg 

* Please note that some of the drawings might not be drawn to scale. Please refer to actual dimensions marked on the drawings.