

Burlington®

Welcome to the Bathroom Brands Technical Whitebook



[Home](#) > [Whitebook](#) > [Taps & Wastes](#) > [Miscellaneous brassware](#) > Tap hole stopper

Tap hole stopper



As Shown

A49 CHR Tap hole stopper

Colour

A49 CHR - accessories - chrome

Material

A49 CHR - accessories - brass

Size

A49 CHR - 45 x 45 x 56.5mm

Nett Weight

A49 CHR - accessories - 0.09kg

Gross Weight Including Packaging

A49 CHR - accessories - 0.1kg

Packed Dimension

A49 CHR - 60 x 60 x 62 = 0.0002 m3

Guarantee

15 year guarantee*

[*Full terms & conditions here](#)

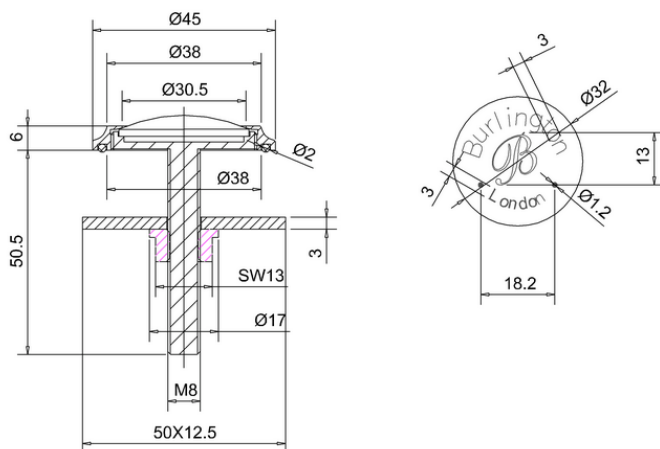
Standards Information

A49 CHR - WRAS Not Applicable

BS EN248:2002

Additional Information

This can convert a 3th basin to 2th



Downloads

Instructions - PDF - A49 CHR (English)	
Instructions - PDF - A49 CHR (French)	
2D CAD-File - DWG - A49 CHR	
2D Drawing - PDF - A49 CHR	
3D DWG - File - DWG - A49 CHR	
3D DXF - File - DXF - A49 CHR	
3D IGS - File - IGS - A49 CHR	
Cutout image 1 -	jpg
Cutout image 2 -	jpg

* Please note that some of the drawings might not be drawn to scale. Please refer to actual dimensions marked on the drawings.

© Bathroom Brands Group Limited

[Guarantee](#) |

[Privacy Policy](#) |

[Legal Notices](#)