

Burlington®

Welcome to the Bathroom Brands Technical Whitebook



[Home](#) > [Whitebook](#) > [Radiators](#) > Angled radiator valves

Angled radiator valves



As Shown

R6 CHR Angled wall mounted rad valve

Colour

R6 CHR - valve - chrome

Material

R6 CHR - valve - brass

Size

R6 CHR - 83 x 65 x 247mm

Nett Weight

R6 CHR - valve - 0.8kg

Gross Weight Including Packaging

R6 CHR - valve - 0.85kg

Packed Dimension

R6 CHR - 150 x 120 x 50 = 0.0009 m3

Guarantee

2 year guarantee*

[*Full terms & conditions here](#)

Standards Information

R6 CHR - WRAS Not Applicable

BS EN 2767:1991

[Spare parts \(click to display spare parts for this product\)](#)



Product Options

Finish Options



[chrome & white](#)



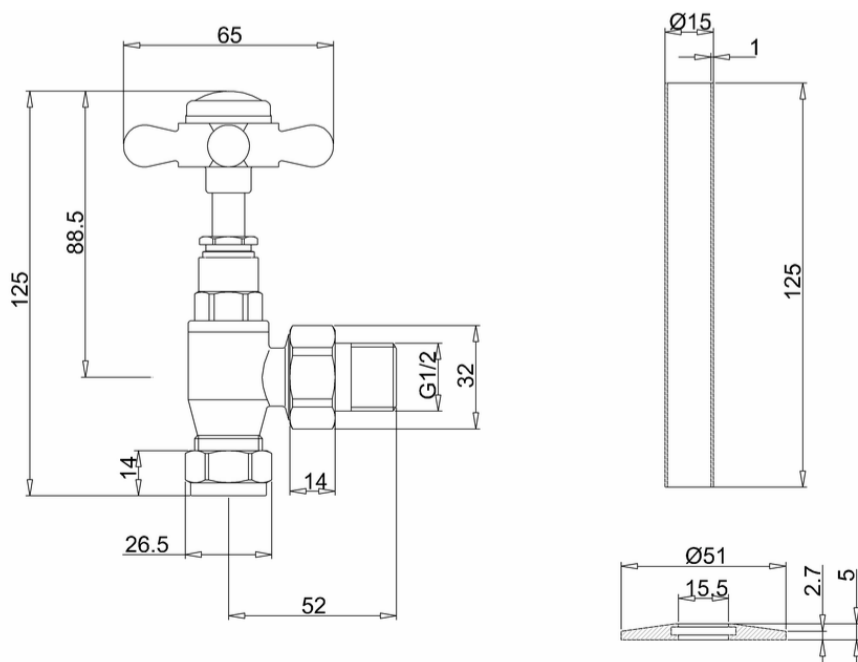
[chrome & medici](#)



[nickel & white](#)



[chrome & black](#)



Downloads

- 2D CAD-File - DWG - R6 CHR
- 2D Drawing - PDF - R6 CHR
- 3D DWG - File - DWG - R6 CHR
- 3D DXF - File - DXF - R6 CHR
- 3D IGS - File - IGS - R6 CHR
- 3D RFA BIMM Objects - File - RFA - R6 CHR
- Cutout image 1 - [jpg](#) [tiff](#)

* Please note that some of the drawings might not be drawn to scale. Please refer to actual dimensions marked on the drawings.

