

Burlington®

Welcome to the Bathroom Brands Technical Whitebook



[Home](#) > [Whitebook](#) > [Ceramic WC](#) > [Seats & Accessories](#) > Ceramic straight pan connector

Ceramic straight pan connector



As Shown

C29 Ceramic straight pan connector

Colour

C29 - pan - white

Material

C29 - pan - vitreous china

Size

C29 - 136 x 136 x 235mm

Nett Weight

C29 - pan - 1.95kg

Gross Weight Including Packaging

C29 - pan - 2.24kg

Packed Dimension

C29 - 265 x 165 x 185 = 0.0081 m3

Guarantee

Lifetime guarantee*

[*Full terms & conditions here](#)

Standards Information

C29 - WRAS Not Applicable

[Spare parts \(click to display spare parts for this product\)](#)



Product Options

Finish options



[Ceramic](#)



[Medici](#)

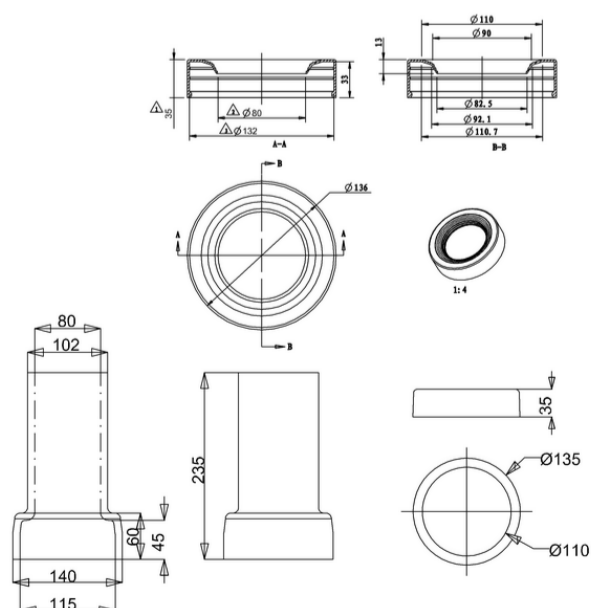


[Jet](#)

Downloads

Instructions - PDF - C29 (English)	
Instructions - PDF - C29 (French)	
2D CAD-File - DWG - C29	
2D Drawing - PDF - C29	
3D DWG - File - DWG - C29	
3D DXF - File - DXF - C29	
3D IGS - File - IGS - C29	
3D RFA BIMM Objects - File - RFA - C29	
Cutout image 1 -	jpg

* Please note that some of the drawings might not be drawn to scale. Please refer to actual dimensions marked on the drawings.



© Bathroom Brands Group Limited

[Guarantee](#) |

[Privacy Policy](#) |

[Legal Notices](#)