

Burlington®

Welcome to the Bathroom Brands Technical Whitebook



[Home](#) > [Whitebook](#) > [Taps & Wastes](#) > [Wastes - basin](#) > Classic Basin Invisible Overflow & Waste

Classic Basin Invisible Overflow & Waste



As Shown

W9 Classic basin invisible overflow & waste

Colour

W9 - waste - chrome

Material

W9 - waste - brass

Size

W9 - 74 x 74 x 300mm

Nett Weight

W9 - waste - 1.05kg

Gross Weight Including Packaging

W9 - waste - 1.28kg

Packed Dimension

W9 - 335 x 120 x 98 = 0.0039 m3

Guarantee

15 year guarantee*

[*Full terms & conditions here](#)

Standards Information

W9 - WRAS Not Applicable

N/A

Additional Information

Can only be used with basins B14 & B16

The invisible overflow drains the water when the water level reaches the top of the basin.

Product Options

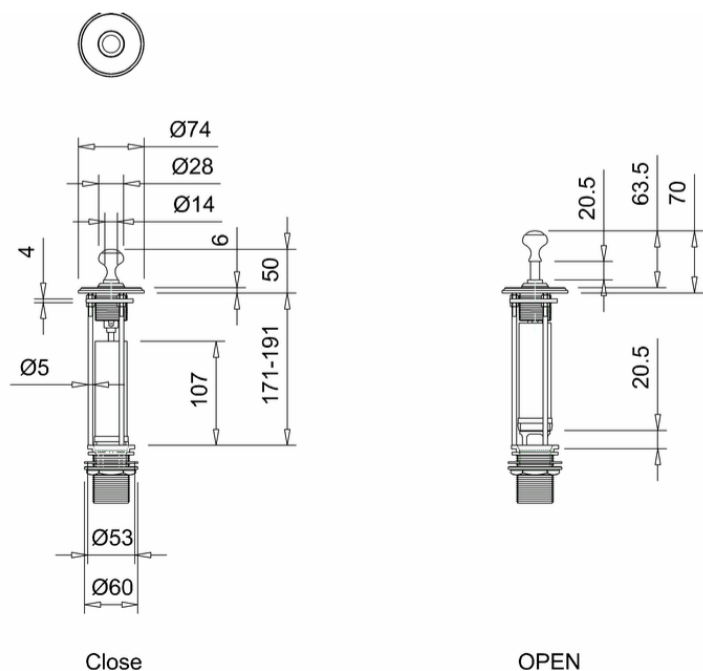
Indicies & lever finish



White



Medici



[Spare parts \(click to display spare parts for this product\)](#)



Downloads

Instructions - PDF - W9 (English)



Instructions - PDF - W9 (French)



2D CAD-File - DWG - W9



2D Drawing - PDF - W9



3D DWG - File - DWG - W9



3D DXF - File - DXF - W9





3D IGS - File - IGS - W9



3D RFA BIMM Objects - File - RFA - W9



 Cutout image 1 - 

jpg 

* Please note that some of the drawings might not be drawn to scale. Please refer to actual dimensions marked on the drawings.