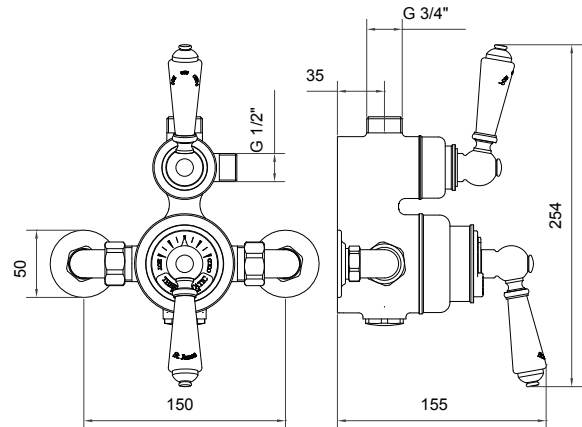


PRODUCT DATA SHEET

RANGE: Traditional Style Shower Valve

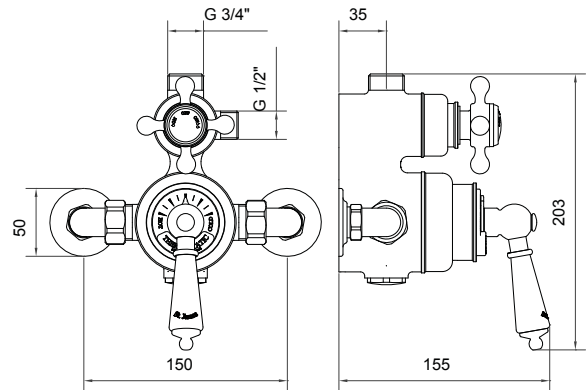
CODE: SJ7410

DESCRIPTION: Exposed Thermostatic Shower Valve with 2 Function Diverter



Supply connections are 15mm compression, and can be swivelled for top, bottom or through wall feed. Hot is on left, cold is on the right (viewed from front).

For through wall supplies 17mm lengths of 15mm copper protruding from finished wall face are required.



FLOW RATES:

BAR PRESSURE	BAR 0.5	BAR 1.0	BAR 3.0	BAR 5.0
LITRES PER MINUTE	-	12	22	28



Marflow Engineering Limited

Britannia House . Austin Way . Hamstead Industrial Estate . Birmingham . B42 1DU . United Kingdom
t. +44 (0)121 358 1555 e. info@marflow.co.uk w. marflow.co.uk