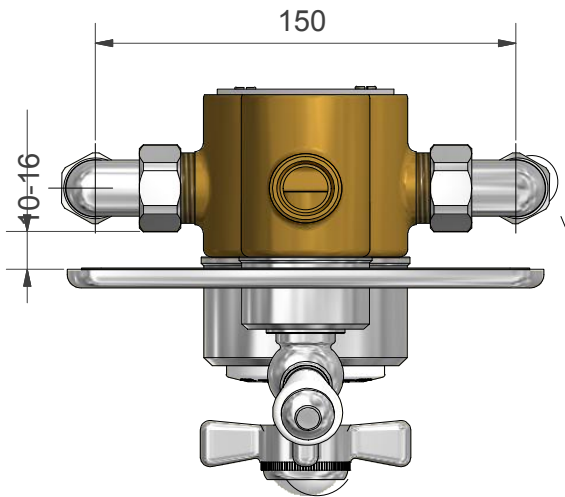
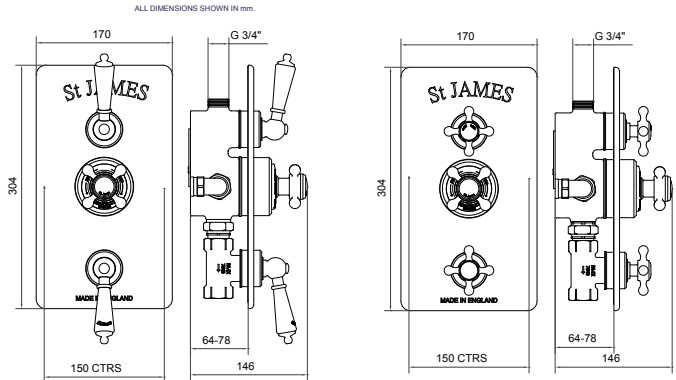


PRODUCT DATA SHEET

RANGE: Classical Style Shower Valve

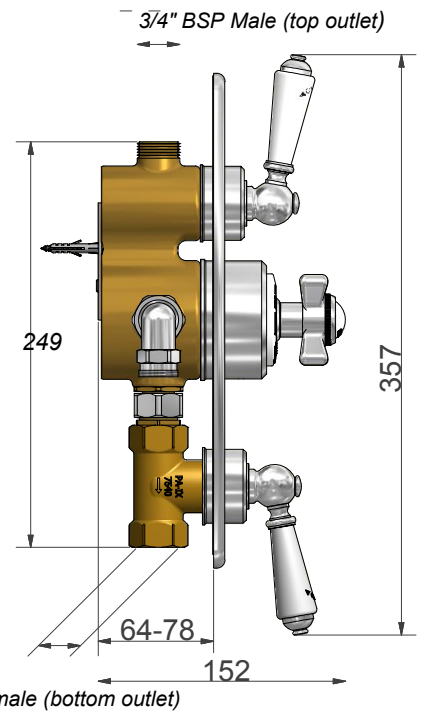
CODE: SJ7750

DESCRIPTION: Concealed Thermostatic Valve with Integral Flow Valves



Supply connections are 15mm compression, and can be swivelled for top, bottom or horizontal feed. Hot is on left, cold is on the right (viewed from front).

Fitting Depth: min 64mm to max 78mm from finished tiled surface to rear of fixing when used with Classical valves. Extension kits available on request



FLOW RATES:

BAR PRESSURE	BAR 0.5	BAR 1.0	BAR 3.0	BAR 5.0
LITRES PER MINUTE	-	20	35	44