

Burlington®

Welcome to the Bathroom Brands Technical Whitebook



[Home](#) > [Whitebook](#) > [Radiators](#) > Straight radiator valves

Straight radiator valves



As Shown

R7 CHR Straight floor mounted rad valve

Colour

R7 CHR - valve - chrome

Material

R7 CHR - valve - brass

Size

R7 CHR - 130.75 x 65 x 211mm

Nett Weight

R7 CHR - valve - 0.9kg

Gross Weight Including Packaging

R7 CHR - valve - 1kg

Packed Dimension

R7 CHR - 150 x 120 x 50 = 0.0009 m3

Guarantee

2 year guarantee*

[*Full terms & conditions here](#)

Standards Information

R7 CHR - WRAS Not Applicable

BS EN 2767:1991

[Spare parts \(click to display spare parts for this product\)](#)



Product Options

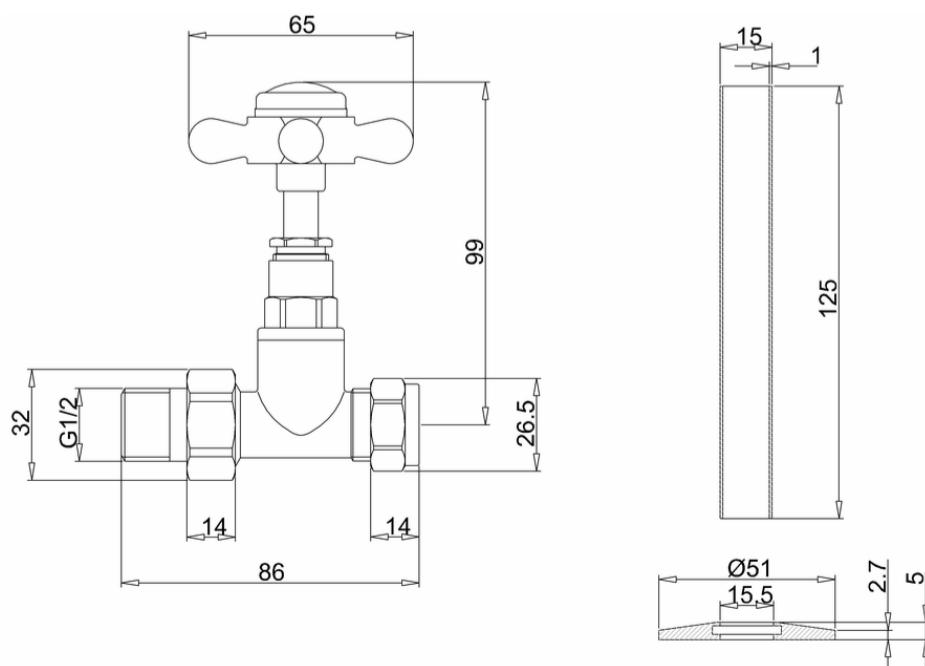
Finish Options



[chrome & white](#)

[chrome & medici](#)

[nickel & white](#)



Downloads

- 2D CAD-File - DWG - R7 CHR
- 2D Drawing - PDF - R7 CHR
- 3D DWG - File - DWG - R7 CHR
- 3D DXF - File - DXF - R7 CHR
- 3D IGS - File - IGS - R7 CHR
- 3D RFA BIMM Objects - File - RFA - R7 CHR
- Cutout image 1 - [jpg](#) [tiff](#)

* Please note that some of the drawings might not be drawn to scale. Please refer to actual dimensions marked on the drawings.

© Bathroom Brands Group Limited

[Guarantee](#) |

[Privacy Policy](#) |

[Legal Notices](#)