

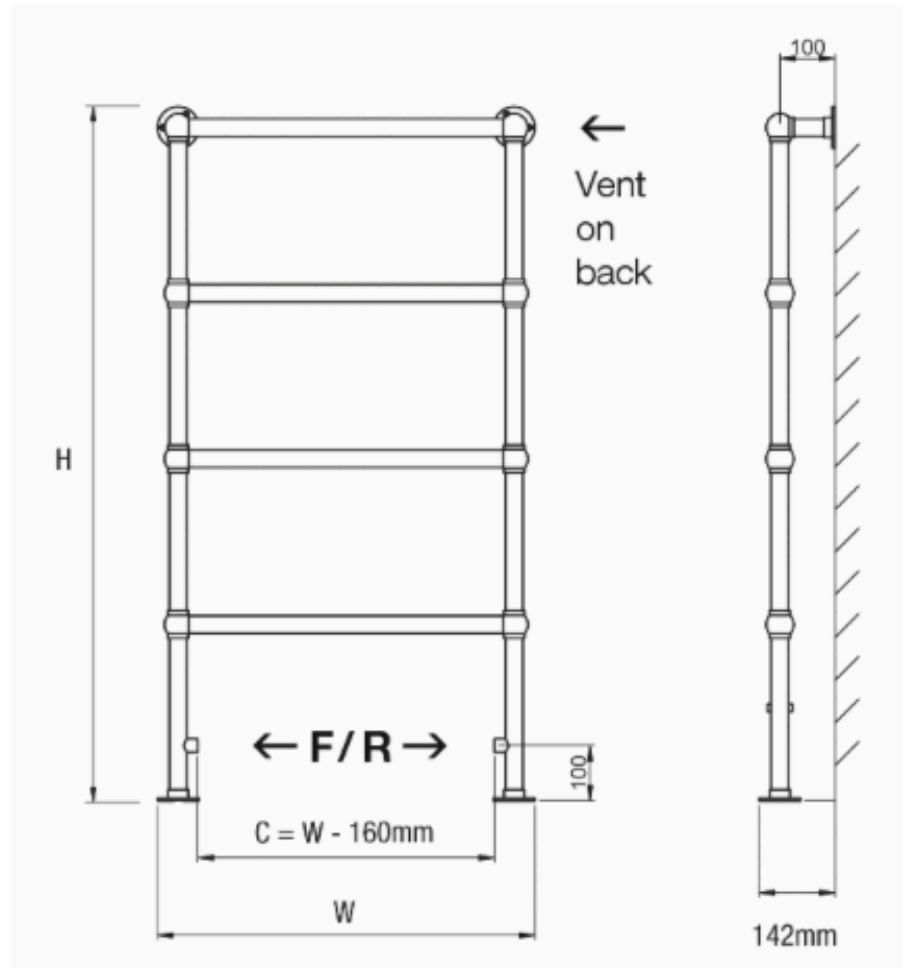
British Made Towel Radiator.  
Model: Floor 4 Rail

Material: Brass  
Guarantee: 5 Years  
Delivery: 4-5 Weeks

Standard Connections 1/2"

Other connections are available on request.

**F** = Flow  
**R** = Return



Height (H) (mm)	Width (W) (mm)	Watts $\Delta t 50^{\circ}\text{C}$	Btu's $\Delta t 50^{\circ}\text{C}$	Chrome Polished Brass (ex VAT)	Polished Nickel Brushed Nickel Antique Brass (ex VAT)	Polished Gold Brushed Gold (ex VAT)	Weight (kgs)
1275	475	244	832	£840.00	£1,134.00	£1,330.00	12
1275	685	255	870	£910.00	£1,232.00	£1,372.00	15
1275	837	274	936	£980.00	£1,330.00	£1,484.00	18