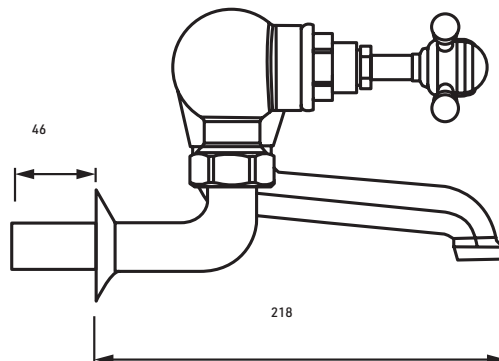
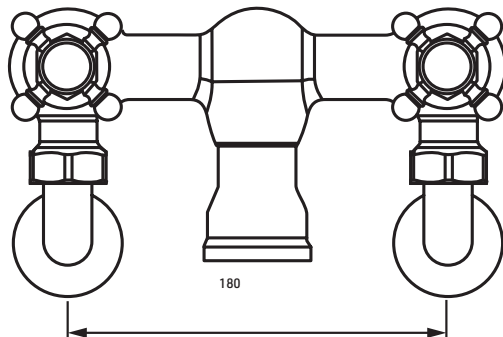


## PRODUCT DATA SHEET

RANGE: Ferrada

CODE: FER340

DESCRIPTION: Wall Mounted Bath Filler



### FLOW RATES:

| BAR PRESSURE      | 0.2 BAR | 0.5 BAR | 1.0 BAR | 3.0 BAR |
|-------------------|---------|---------|---------|---------|
| LITRES PER MINUTE | 18.0    | 27.6    | 40.2    | 68.40   |