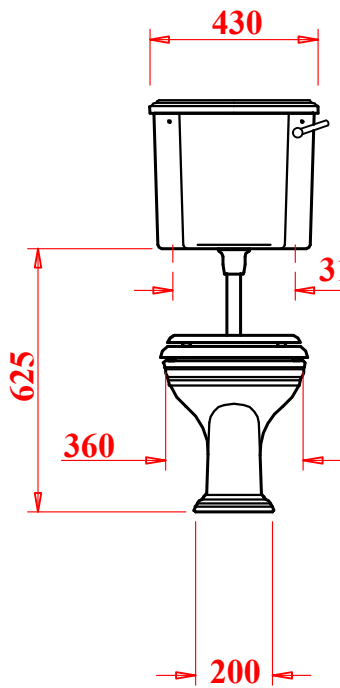
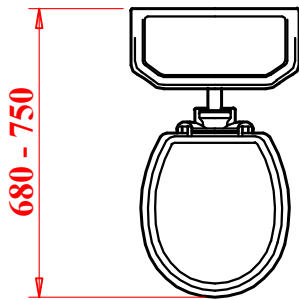


VICTORIAN LOW LEVEL CLOSET & CISTERN



318 inlet & o/flow

