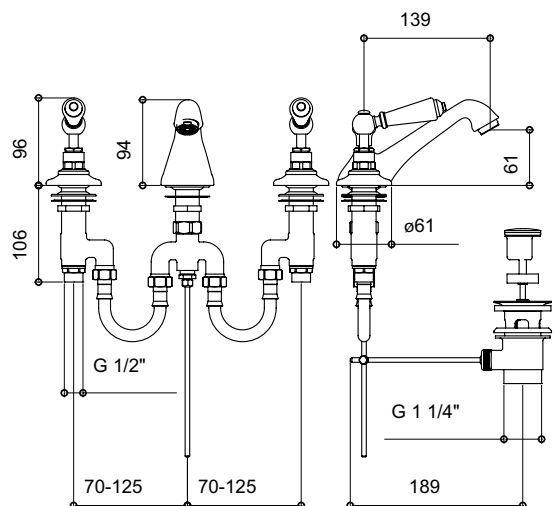
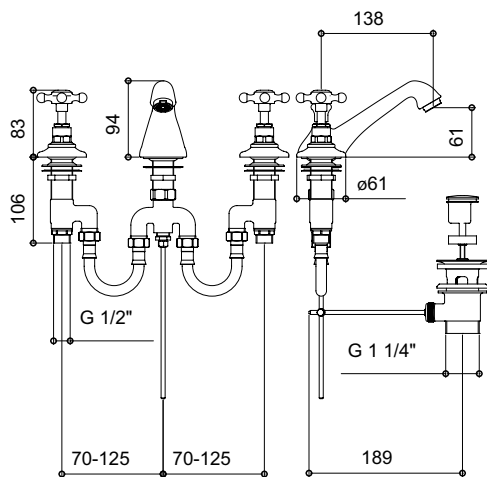


PRODUCT DATA SHEET

RANGE: Basin Taps

CODE: SJ400

DESCRIPTION: Three Hole Basin Mixer



FLOW RATES:

BAR PRESSURE	BAR 0.2	BAR 0.5	BAR 1.0	BAR 3.0
LITRES PER MINUTE	9.2	12.3	17.2	29.8



Marflow Engineering Limited

Britannia House . Austin Way . Hamstead Industrial Estate . Birmingham . B42 1DU . United Kingdom
t. +44 (0)121 358 1555 e. info@marflow.co.uk w. marflow.co.uk