

Measurements in millimetres mm

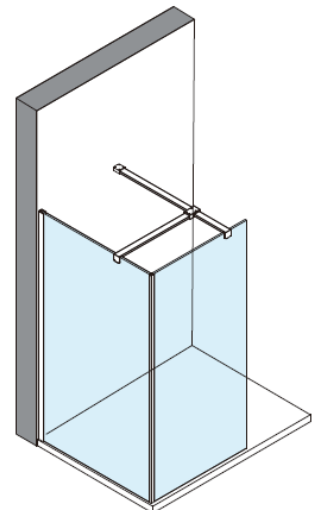
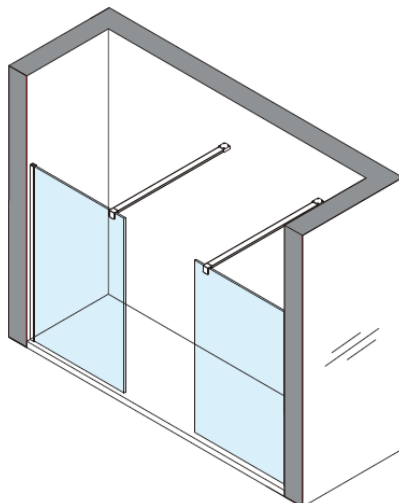
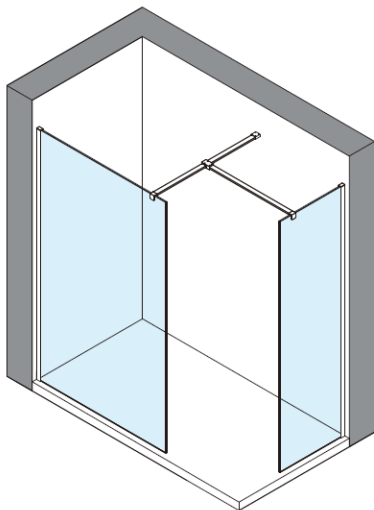
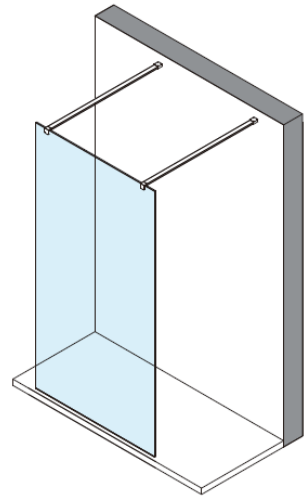
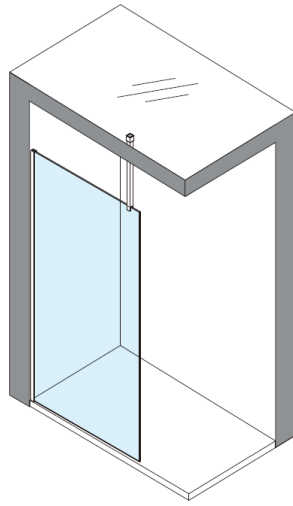
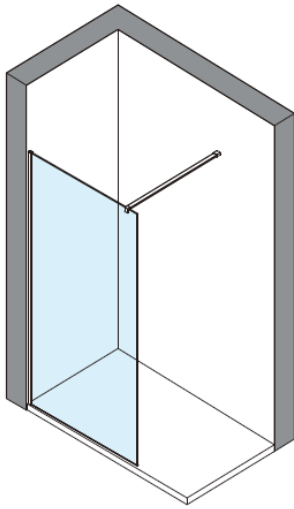
Information updated March 2021

Tel 0345 873 8840

crosswater™

GALLERY 10

10mm Toughened Safety Glass  
Fixed Walk In Panels & Wall Profiles



Toughened Glass  
Strong and safe



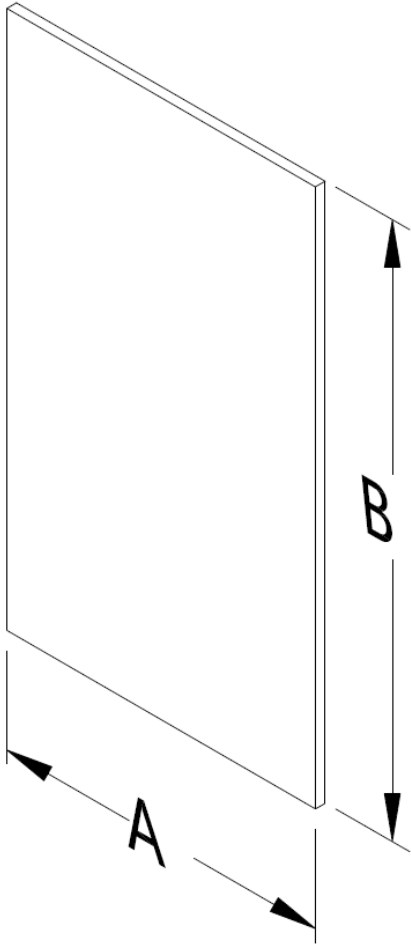
Protective Finish  
Easy to clean



Lifetime Guarantee  
Peace of mind



BS EN 14428



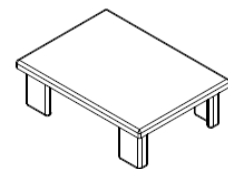
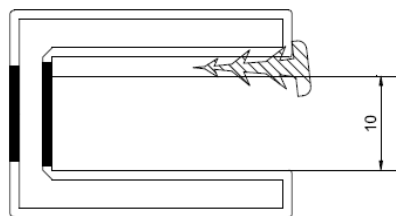
CODE	A	B	Adjustment with Wall profile
	mm	mm	mm
GR030010CF	295	1997	15
GR040010CF	395	1997	15
GR050010CF	495	1997	15
GR060010CF	595	1997	15
GR070010CF	695	1997	15
GR076010CF	755	1997	15
GR080010CF	795	1997	15
GR090010CF	895	1997	15
GR100010CF	995	1997	15
GR110010CF	1095	1997	15
GR120010CF	1195	1997	15
GR140010CF	1395	1997	15

**Maximum width of glass without bracing support 500mm**



CODE	Gallery 10 Wall Profile	ADJUSTMENT	Size w x d	Height
	Colour	mm	mm	mm
GRPROFILEF	Brushed Brass	15	30 x 22	2000
GRPROFILEMB	Matt Black	15	30 x 22	2000
GRPROFILEPSS	Polished Stainless Steel	15	30 x 22	2000
GRPROFILEV	Brushed Stainless Steel	15	30 x 22	2000

*Supplied with Cover cap and Squeeze gasket*



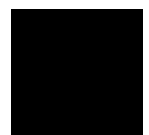
Brushed Brass



Polished Stainless



Brushed Stainless



Matt Black



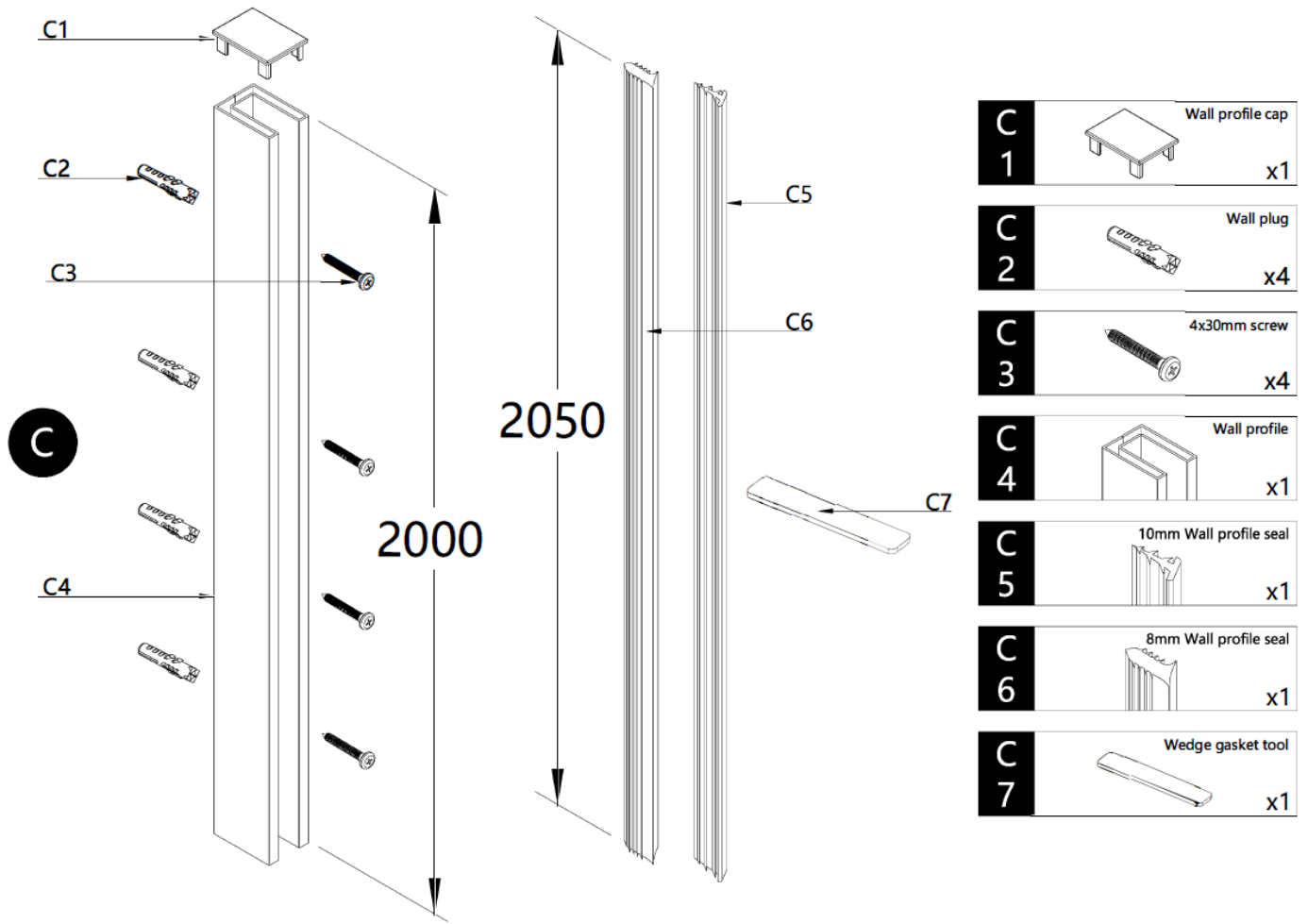
**Toughened Glass**  
Strong and safe

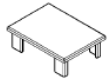


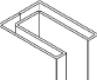


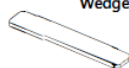


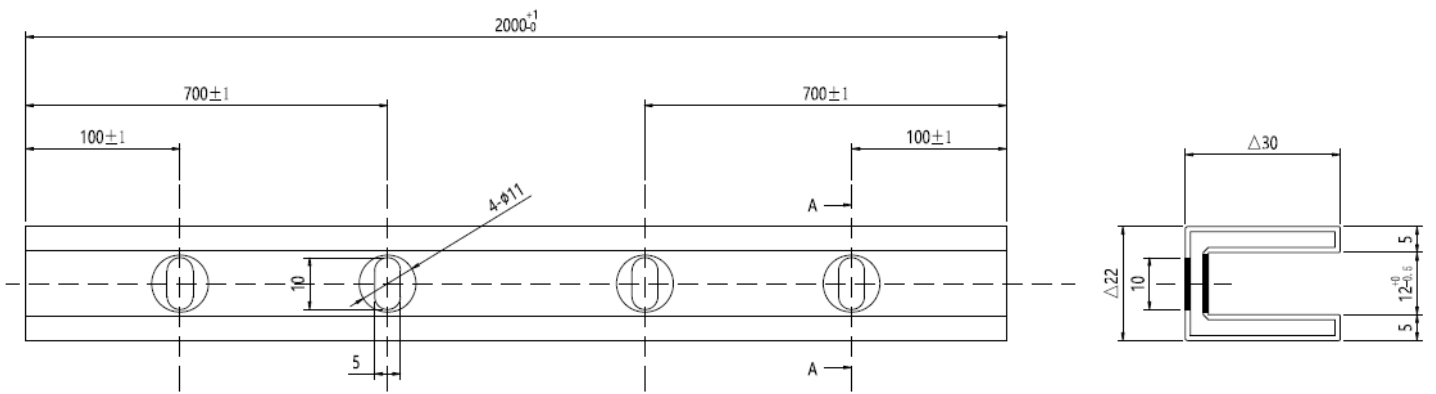
**Protective Finish**  
Easy to clean



**Lifetime Guarantee**  
Peace of mind



<b>C 1</b>		Wall profile cap	x1
<b>C 2</b>		Wall plug	x4
<b>C 3</b>		4x30mm screw	x4
<b>C 4</b>		Wall profile	x1
<b>C 5</b>		10mm Wall profile seal	x1
<b>C 6</b>		8mm Wall profile seal	x1
<b>C 7</b>		Wedge gasket tool	x1



**Toughened Glass**  
Strong and safe



**Protective Finish**  
Easy to clean



**Lifetime Guarantee**  
Peace of mind



Brushed Brass



Polished Stainless



Brushed Stainless



Matt Black

GALLERY 10

Fixed Walk In Panels

Bracing Bar Options



**Glass to Wall Bracing Bar**

1200mm long. Can support panels up to 1400mm.



**Glass to Ceiling Bracing Bar**

600mm long. Can support panels up to 1000mm.



**T Bracing Bar**

1200 x 1200mm. Can support panels up to 1000mm.



**Toughened Glass**  
Strong and safe



**Protective Finish**  
Easy to clean



**Lifetime Guarantee**  
Peace of mind



Brushed Brass



Polished Stainless

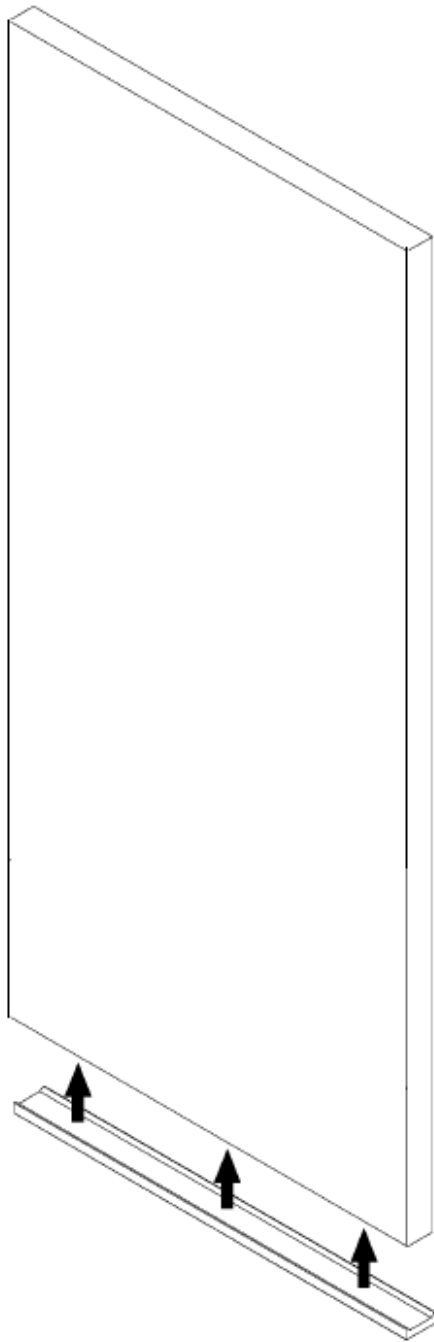


Brushed Stainless



Matt Black

GALLERY 10  
Optional Seal



CODE	Gallery 10 Optional Seal

**GRSEAL1400X10** Clear PVC Self-adhesive

*Supplied to be cut down during installation*

