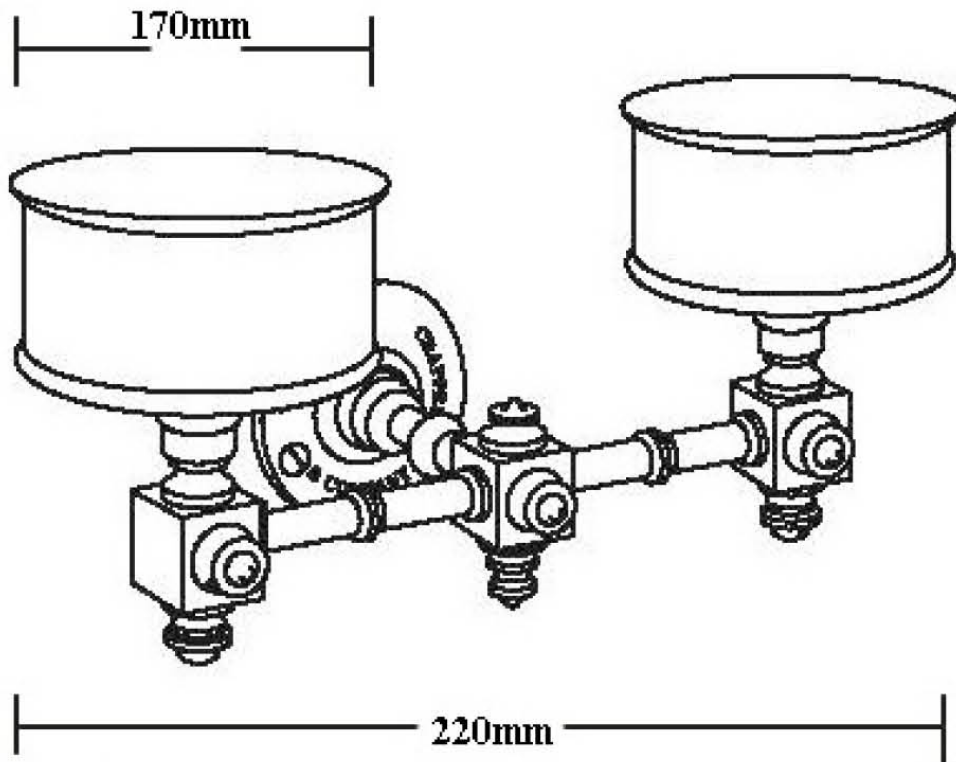




PRODUCT DIMENSIONS  
MARLBOROUGH TWIN TUMBLER HOLDER



**Total Projection 120mm**