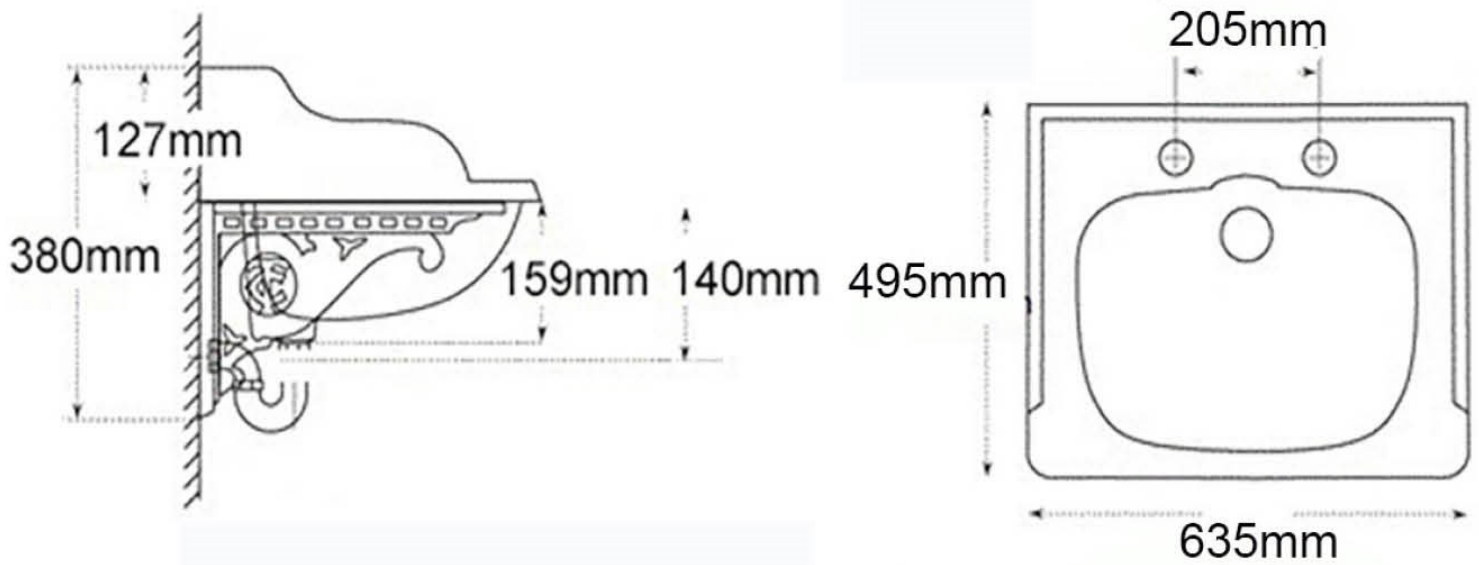




PRODUCT DIMENSIONS
MARLBOROUGH 635MM BASIN



Tap Holes are all 32mm

Waste Holes are all 44mm