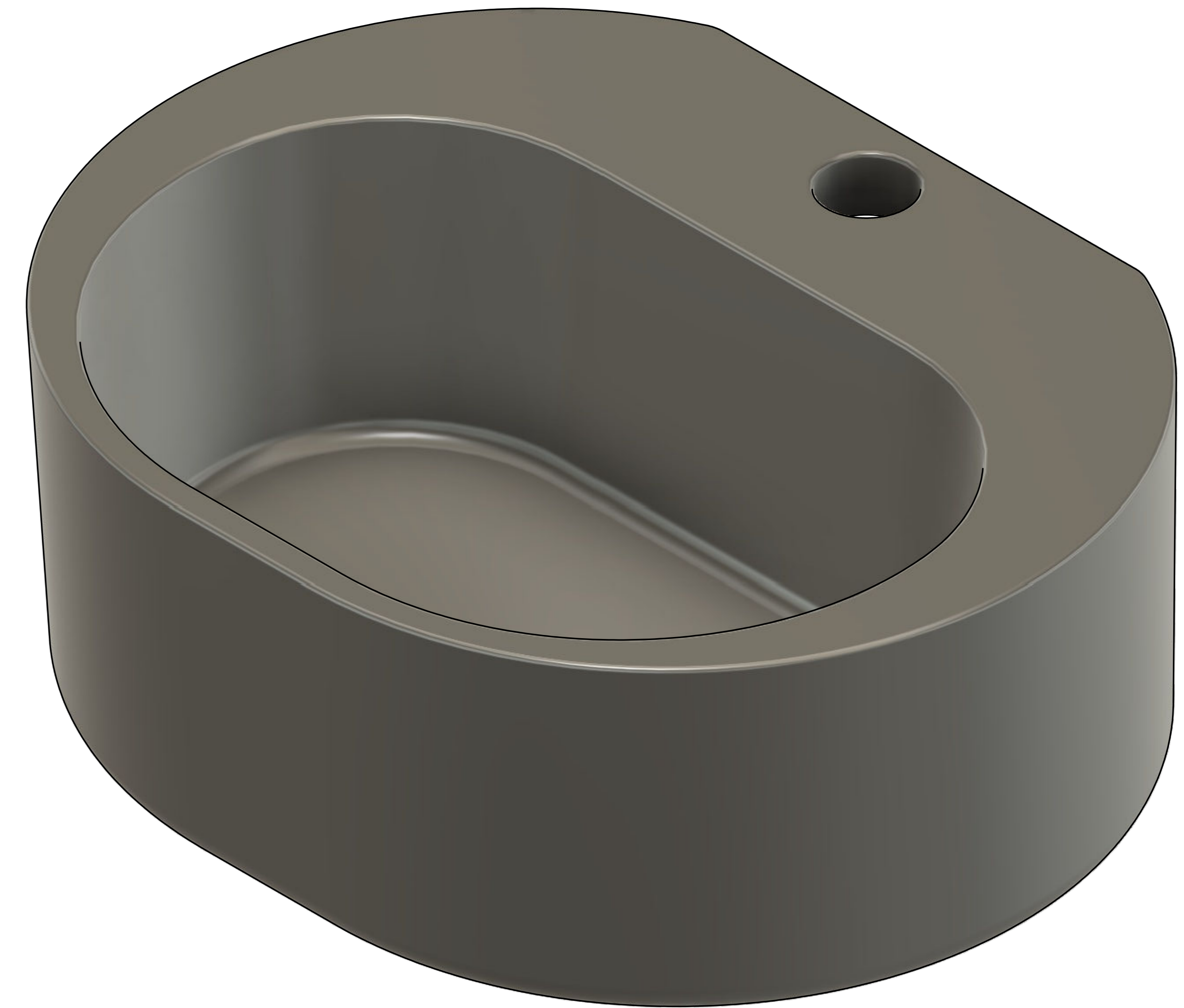
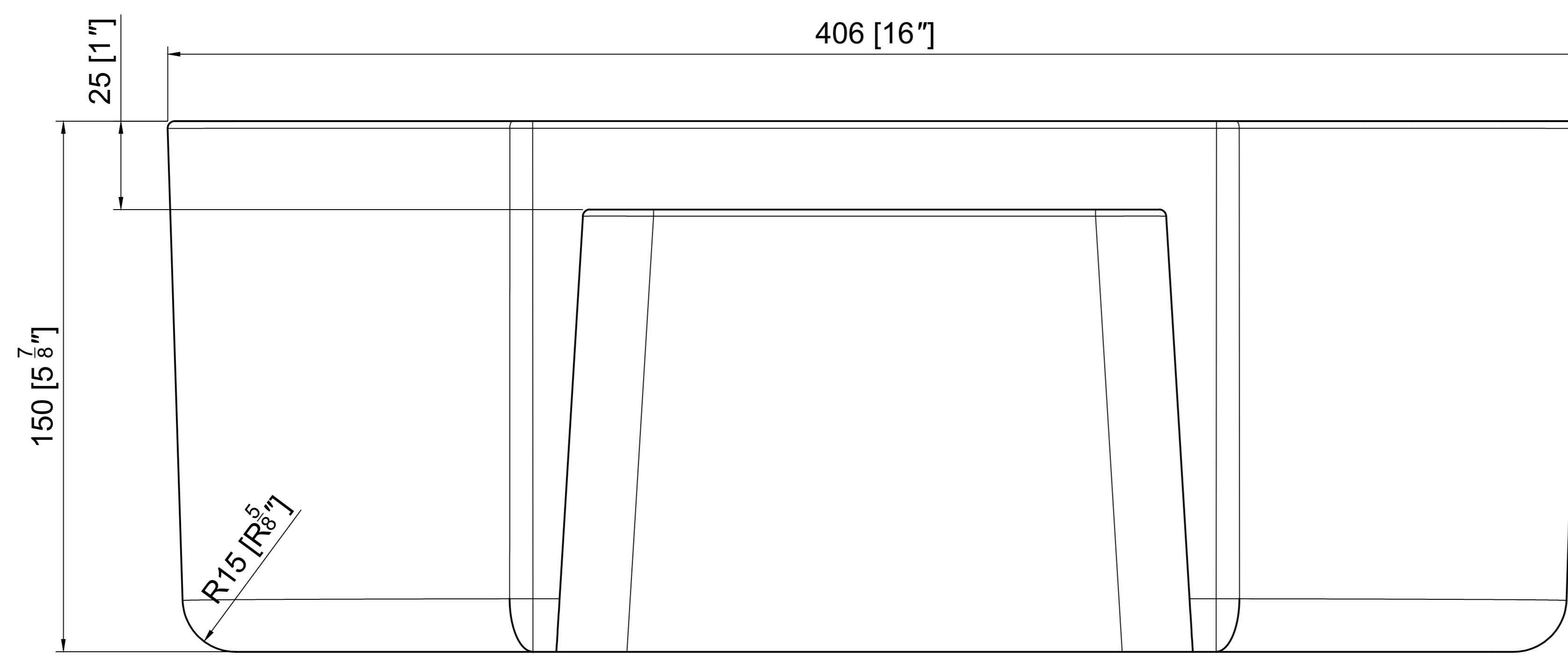


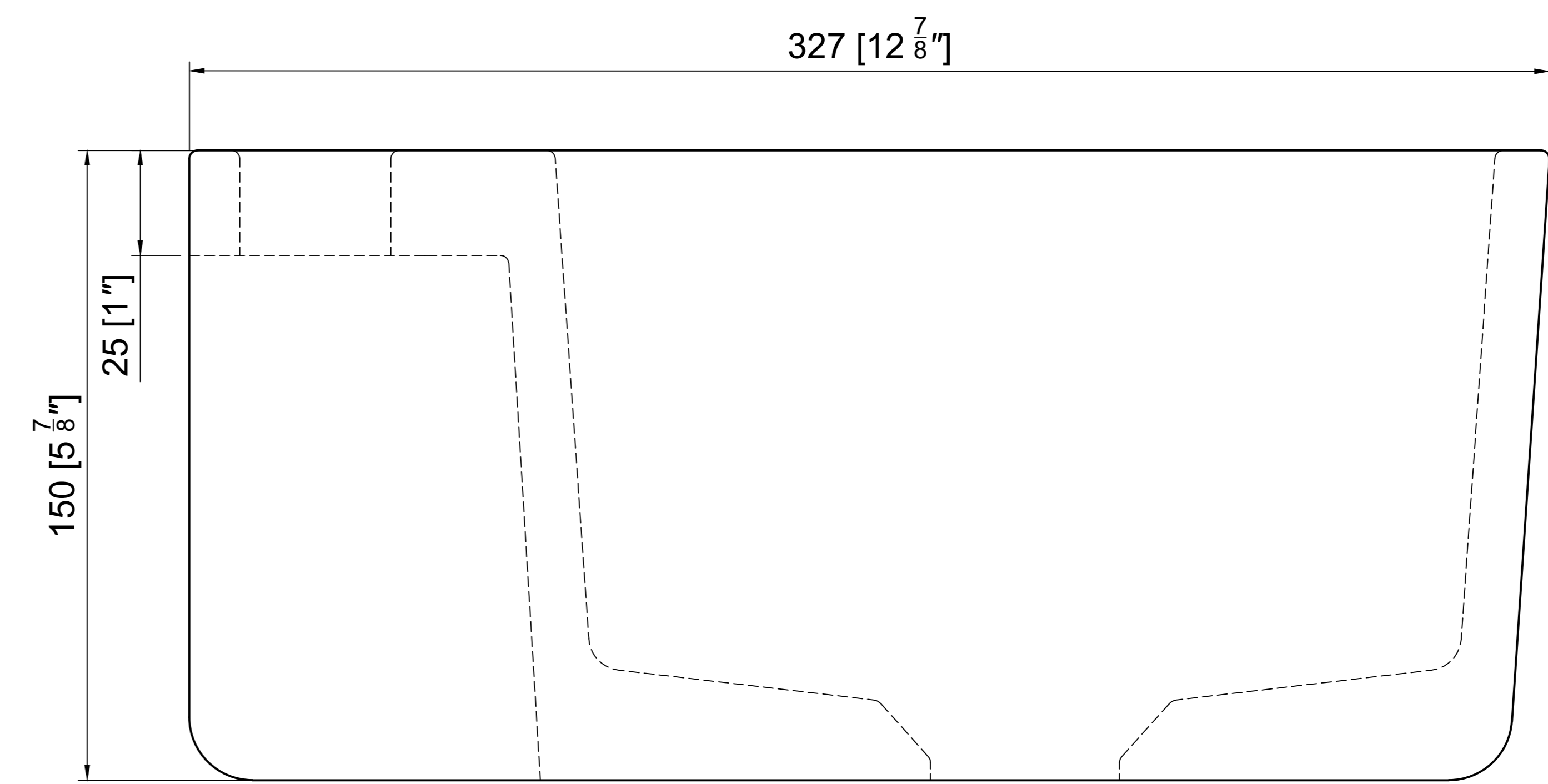
PLAN VIEW



ISOMETRIC VIEW



FRONT VIEW



SECTION VIEW

PLEASE NOTE:

In using this drawing you agree to our terms and conditions available to read at our website www.darwenterracotta.com

NOTES

REVISIONS

COMMENTS

DATE

DRAWN BY

Siddique Rasul

DRAWING STATUS

Approval

DRAWING DESCRIPTION

Krete Basin Details

PROJECT

Elounda

DOCUMENT NUMBER

Sinks

REVISION

Kréte