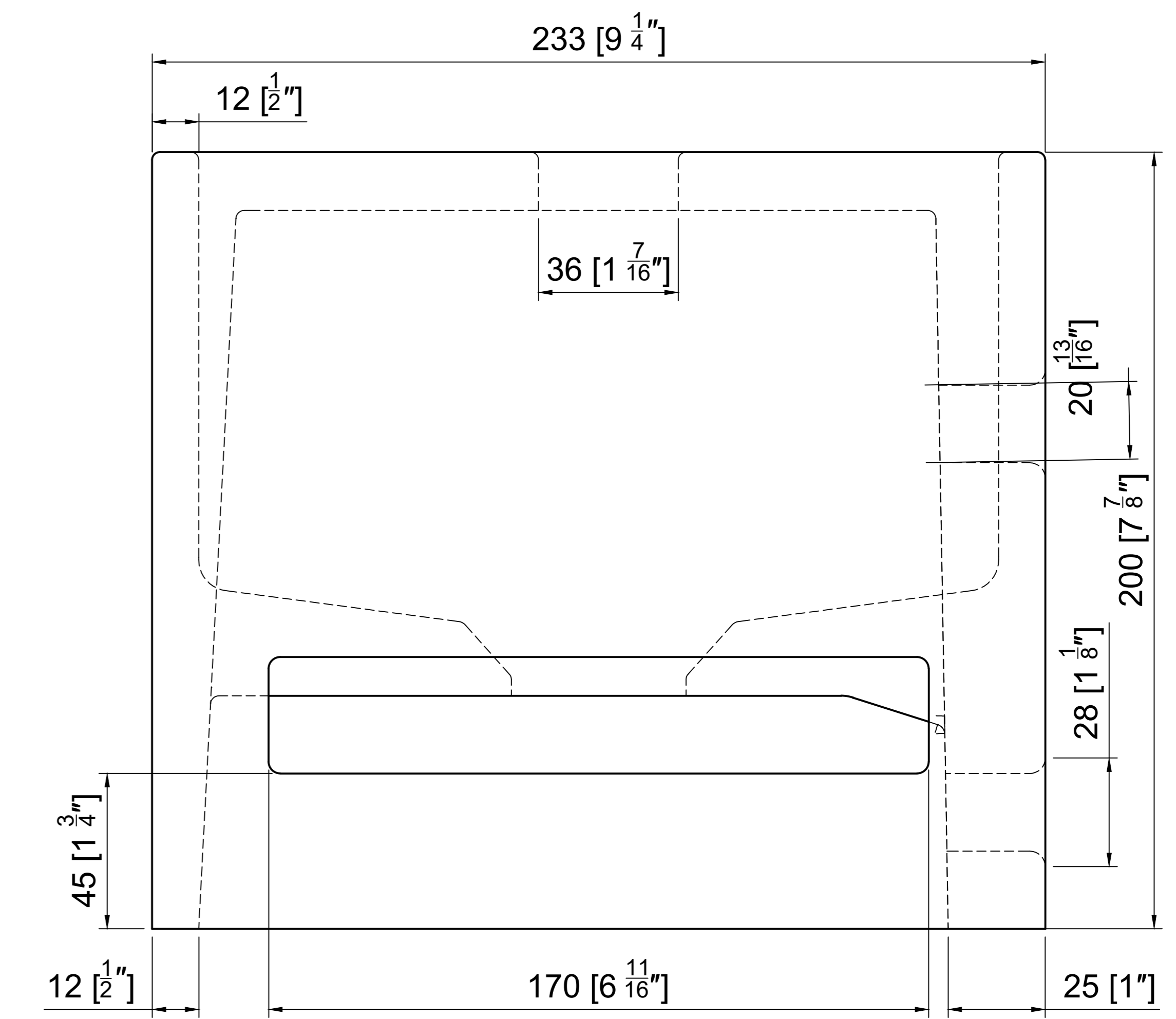
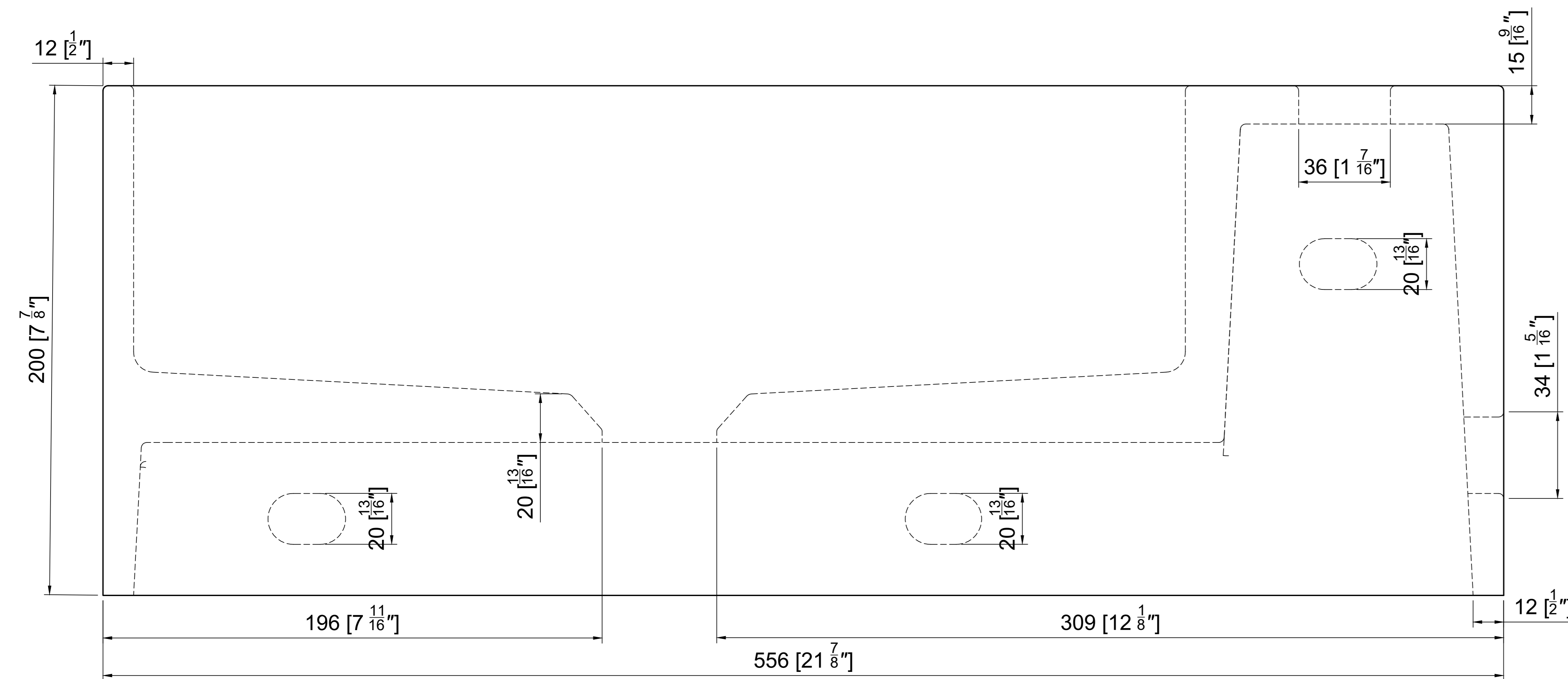


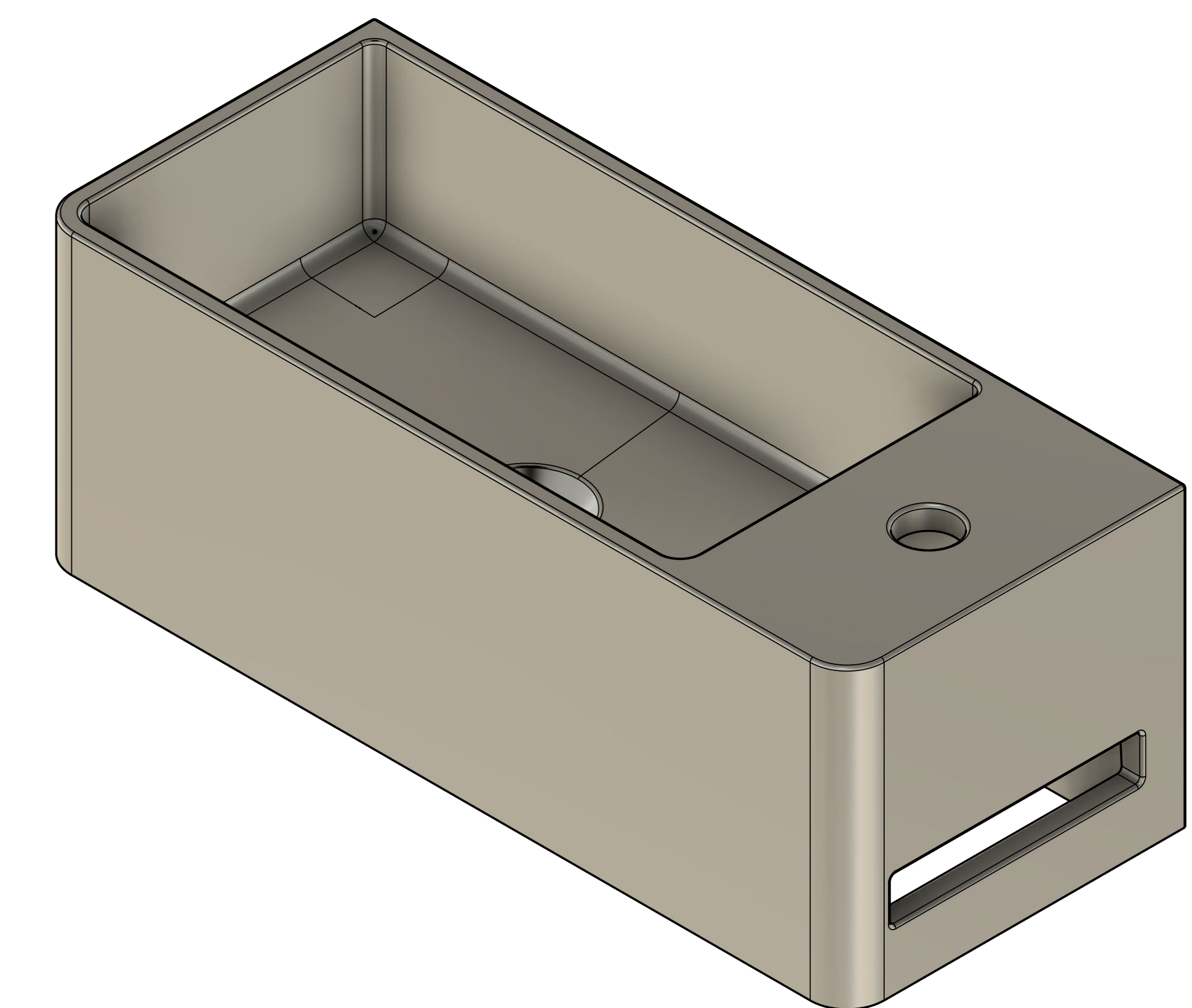
PLAN VIEW



SECTION VIEW



FRONT VIEW



ISOMETRIC VIEW

PLEASE NOTE:	NOTES	REVISIONS	COMMENTS	DATE	DRAWN BY	DRAWING STATUS	DRAWING DESCRIPTION	PROJECT	DOCUMENT NUMBER
In using this drawing you agree to our terms and conditions available to read at our website <a href="http://www.darwerterracotta.com">www.darwerterracotta.com</a>					Siddique Rasul	Approval	Krete Basin Details	Galini	Sinks
					Sep-25	NTS			REVISION